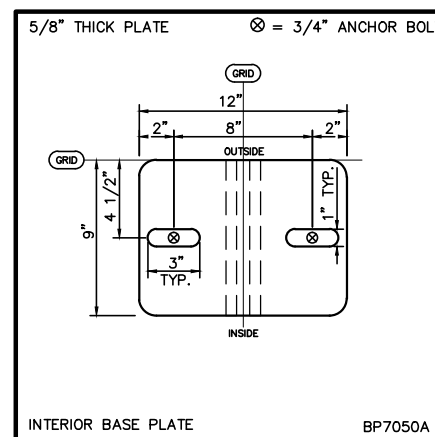


EAVE STRUCTURE (FABRIC - EAVE TO EAVE / PEAK TO EAVE)

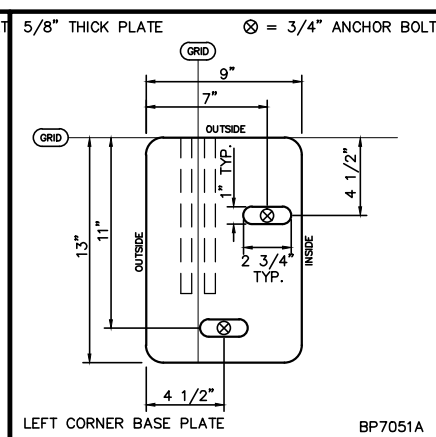
SHOULDER STRUCTURE (FABRIC - GROUND TO GROUND / RIDGE TO GROUND)

60 VP COMPONENT SCHEDULE - INTERIOR TRUSS			
MARK	PART No.	DESCRIPTION	COMMENT
A	CU7227A	50'/60'/65' PEAK TRUSS	
B	CU7235A	60' STRAIGHT TRUSS - INSERT	
C	CU7223A	50'/60'/65' SHOULDER TRUSS	
D	CU7210A	50'/60'/65' LEG TRUSS	
E	IN79301A	INSERT ROUND - COMMON	
F		INSERT EAVE - COMMON	2'-0" EAVE

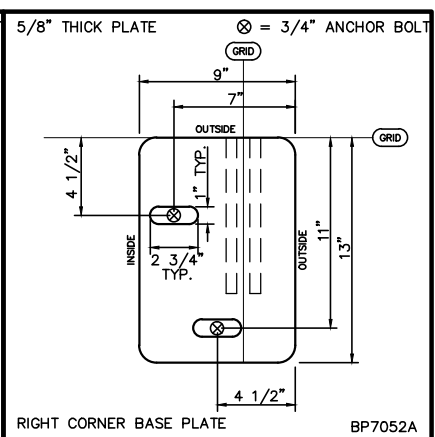
PROFILE MASS = 1600 LBS



BP7050A



BP7051A



BP7052A

		Calhoun Superstructure Ltd. 3702 Bruce Rd #10 Terra, Ontario, Canada N0H 2N0 800-366-3994 www.calhounsuperstructure.com	
		60' VP PROFILE	
		NAME: _____ DATE: 06/01/2015 DRAWN: K M 22/06/2015 CHECKED: R H 22/06/2015 ENG. APPR.: _____	
		PROPRIETARY AND CONFIDENTIAL THE INFORMATION CONTAINED IN THIS DRAWING IS THE SOLE PROPERTY OF CALHOUN SUPERSTRUCTURE. ANY REPRODUCTION IN PART OR AS A WHOLE WITHOUT THE WRITTEN PERMISSION OF CALHOUN SUPERSTRUCTURE IS PROHIBITED.	
No.	DESCRIPTION	DATE	SIZE: D SCALE: N T S SHEET: 1 OF 1
REVISION / ISSUE			