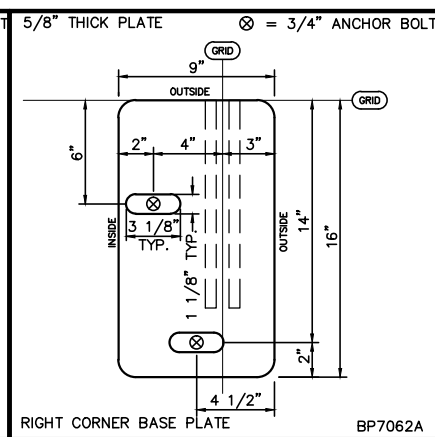
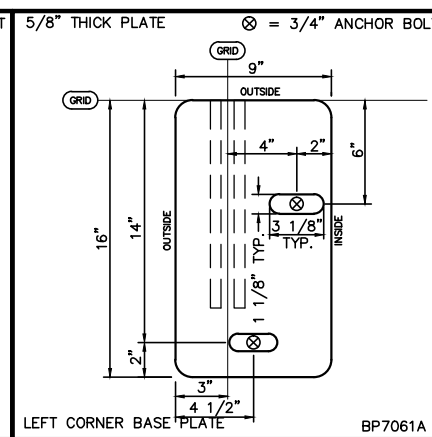
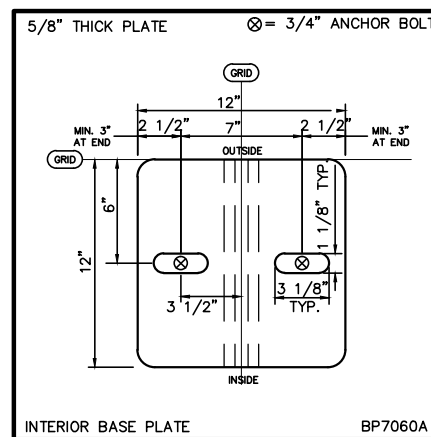



EAVE STRUCTURE (FABRIC - EAVE TO EAVE / PEAK TO EAVE)

SHOULDER STRUCTURE (FABRIC - GROUND TO GROUND / RIDGE TO GROUND)

120 VP COMPONENT SCHEDULE - INTERIOR TRUSS			
MARK	PART No.	DESCRIPTION	COMMENT
A	CU7092A	110/120' PEAK TRUSS	
B	CU7091A	110/120' STRAIGHT TRUSS	
C	CU7089A	110/120' SHOULDER TRUSS	
D	CU7090A	110/120' LEG TRUSS	
E	IN79401A	INSERT ROUND PEAK - COMMON	
F	IN79400A	INSERT ROUND SHOULDER - COMMON	
G		INSERT EAVE - COMMON	2'-0" EAVE

PROFILE MASS = 4000 LBS



		Calhoun Superstructure Ltd. 3702 Bruce Rd #10 Terra, Ontario, Canada N0H 2N0 800-365-3994 www.calhounsuperstructure.com	
			
		120' VP PROFILE	
		PROPRIETARY AND CONFIDENTIAL THE INFORMATION CONTAINED IN THIS DRAWING IS THE SOLE PROPERTY OF CALHOUN SUPERSTRUCTURE. ANY REPRODUCTION IN PART OR AS A WHOLE WITHOUT THE WRITTEN PERMISSION OF CALHOUN SUPERSTRUCTURE IS PROHIBITED.	
No.	DESCRIPTION	DATE	SCALE
	REVISION / ISSUE		
		NAME DATE DRAWN K M 22/06/2015 CHECKED R H 22/06/2015 ENG. APPR. ---	
		SIZE DWG. NO. D VP-120 ZEE SCALE: N T S SHEET 1 OF 1	