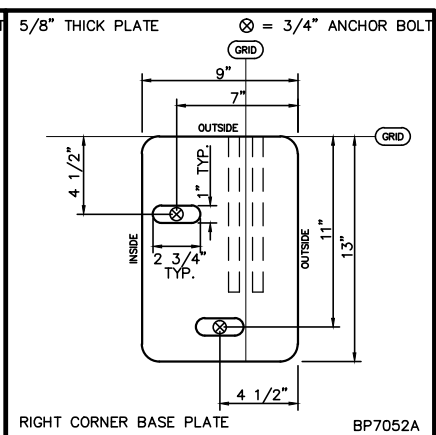
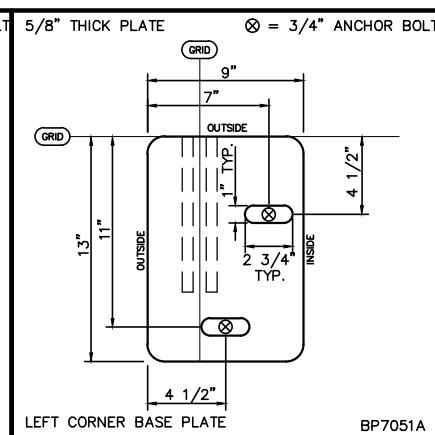
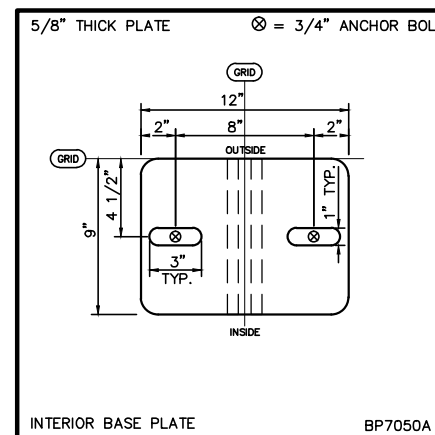


EAVE STRUCTURE (FABRIC - EAVE TO EAVE / PEAK TO EAVE)

SHOULDER STRUCTURE (FABRIC - GROUND TO GROUND / RIDGE TO GROUND)

100 VP COMPONENT SCHEDULE - INTERIOR TRUSS			
MARK	PART No.	DESCRIPTION	COMMENT
A	TR7317A	90/100' PEAK TRUSS	
B	TR7315A	90/100' STRAIGHT TRUSS	
C	TR7318A	90/100' SHOULDER TRUSS	
D	LE7044A	90/100' LEG TRUSS	
E	TR7077A	INSERT ROUND PEAK - COMMON	
F	TR7083A	INSERT ROUND SHOULDER - COMMON	
G	TR7091A	INSERT EAVE - COMMON	2'-0" EAVE

PROFILE MASS = 3000 LBS



Calhoun Superstructure Ltd. 3702 Bruce Rd #10 Terra, Ontario, Canada N0H 2N0 800-366-3994 www.calhounsuperstructure.com		
NAME: _____ DATE: 06/07/2015	DRAWN: K M 22/06/2015	
CHECKED: R H 22/06/2015	ENG. APPR.: _____	100' VP PROFILE
PROPRIETARY AND CONFIDENTIAL THE INFORMATION CONTAINED IN THIS DRAWING IS THE SOLE PROPERTY OF CALHOUN SUPERSTRUCTURE. ANY REPRODUCTION IN PART OR AS A WHOLE WITHOUT THE WRITTEN PERMISSION OF CALHOUN SUPERSTRUCTURE IS PROHIBITED.		VP-100 ZEE N T S SHEET 1 OF 1