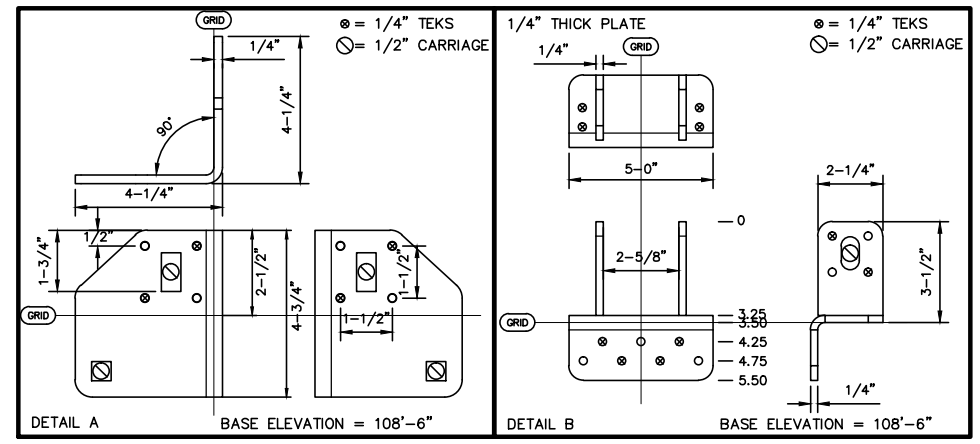



NOTE:  
SEA CONTAINERS  
DESIGNED & SUPPLIED  
BY OTHERS

50 CL COMPONENT SCHEDULE - TYPICAL TRUSS			
MARK	PART No.	DESCRIPTION	COMMENT
A	TP32050A	50' PEAK TRUSS	
B	TS32000A	STANDARD SHOULDER TRUSS	
C	--	CONTAINER 8'-6" TYP	DESIGNED & SUPPLIED BY OTHERS

PROFILE MASS = 535 LBS



		Calhoun Superstructure Ltd. 3702 Bruce Rd #10 Tara, Ontario, Canada N0H 2N0 800-365-3994 www.calhounsuperstructure.com	
		NAME	DATE
		K L	04/06/2015
		CHECKED	R H 04/06/2015
		ENG. APPR.	---
		<small>PROPRIETARY AND CONFIDENTIAL THE INFORMATION CONTAINED IN THIS DRAWING IS THE SOLE PROPERTY OF CALHOUN SUPERSTRUCTURE. ANY REPRODUCTION IN PART OR AS A WHOLE WITHOUT THE WRITTEN PERMISSION OF CALHOUN SUPERSTRUCTURE IS PROHIBITED.</small>	
No.	DESCRIPTION	DATE	SCALE
	REVISION / ISSUE		



**50' CL PROFILE**

SIZE DWG. NO. **CL-50**

SCALE: **N T S** SHEET **1 OF 1**