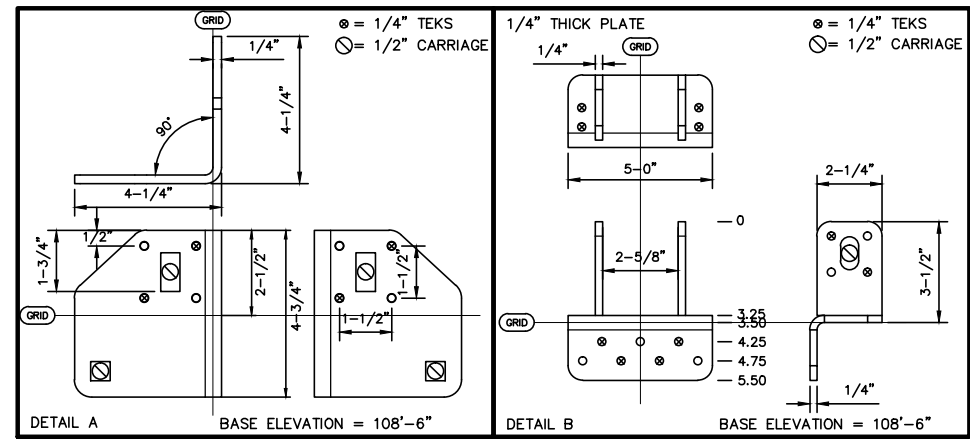


NOTE:
SEA CONTAINERS
DESIGNED & SUPPLIED
BY OTHERS

36 CL COMPONENT SCHEDULE - TYPICAL TRUSS			
MARK	PART No.	DESCRIPTION	COMMENT
A	TP32001A	36' PEAK TRUSS	
B	TS32000A	STANDARD SHOULDER TRUSS	
C	--	CONTAINER 8'-6" TYP	DESIGNED & SUPPLIED BY OTHERS

PROFILE MASS = 330 LBS



Calhoun Superstructure Ltd. 3702 Bruce Rd #10 Tara, Ontario, Canada N0H 2N0 800-365-3994 www.calhounsuperstructure.com		
NAME	DATE	
DRAWN	K L	04/06/2015
CHECKED	R H	04/06/2015
ENG. APPR.	---	
<small>PROPRIETARY AND CONFIDENTIAL THE INFORMATION CONTAINED IN THIS DRAWING IS THE SOLE PROPERTY OF CALHOUN SUPERSTRUCTURE. ANY REPRODUCTION IN PART OR AS A WHOLE WITHOUT THE WRITTEN PERMISSION OF CALHOUN SUPERSTRUCTURE IS PROHIBITED.</small>		36' CL PROFILE
No.	DESCRIPTION	DATE
REVISION / ISSUE		
SIZE	DWG. NO.	CL-36
SCALE:	N T S	SHEET 1 OF 1