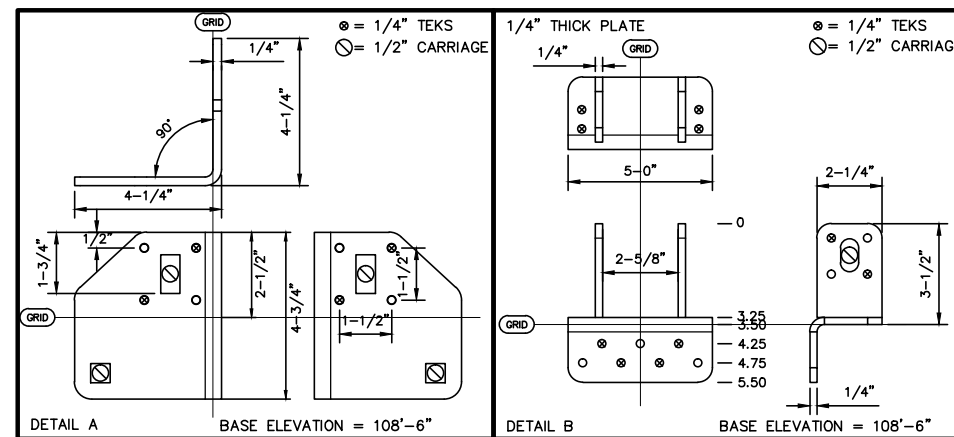


NOTE:
SEA CONTAINERS
DESIGNED & SUPPLIED
BY OTHERS

32 CL COMPONENT SCHEDULE - TYPICAL TRUSS			
MARK	PART No.	DESCRIPTION	COMMENT
A	TP32002A	32' PEAK TRUSS	
B	TS32000A	STANDARD SHOULDER TRUSS	
C	--	CONTAINER 8'-6" TYP	DESIGNED & SUPPLIED BY OTHERS

PROFILE MASS = 315 LBS



		Calhoun Superstructure Ltd. 3702 Bruce Rd #10 Tara, Ontario, Canada N0H 2N0 800-365-3994 www.calhounsuperstructure.com		 32' CL PROFILE
NAME	DATE			
DRAWN	K L	04/06/2015		
CHECKED	R H	04/06/2015		
ENG. APPR.	---			
REVISION / ISSUE		<small>PROPRIETARY AND CONFIDENTIAL THE INFORMATION CONTAINED IN THIS DRAWING IS THE SOLE PROPERTY OF CALHOUN SUPERSTRUCTURE. ANY REPRODUCTION IN PART OR AS A WHOLE WITHOUT THE WRITTEN PERMISSION OF CALHOUN SUPERSTRUCTURE IS PROHIBITED.</small>		<small>SIZE DWG. NO.</small> D <small>SCALE:</small> N T S <small>SHEET</small> CL-32 <small>1 OF 1</small>