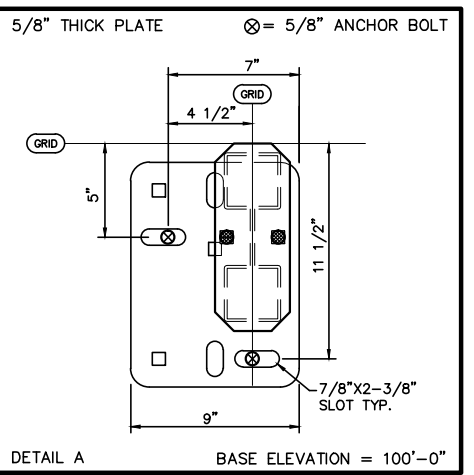
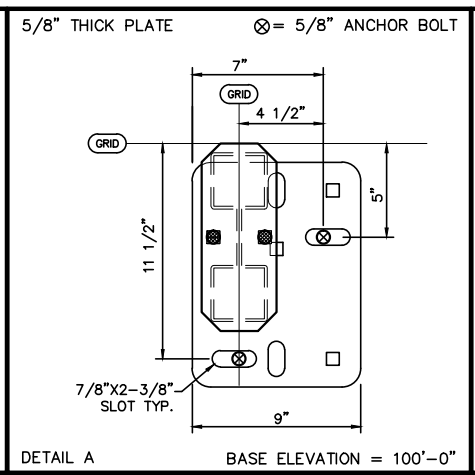
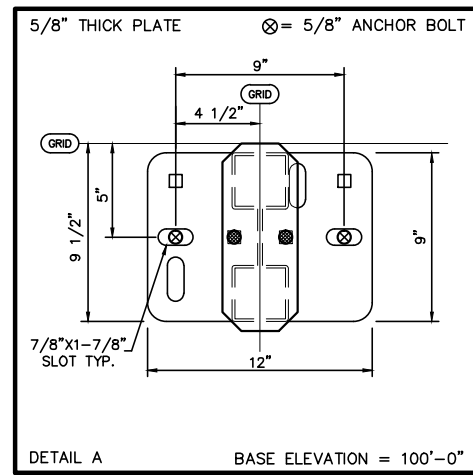
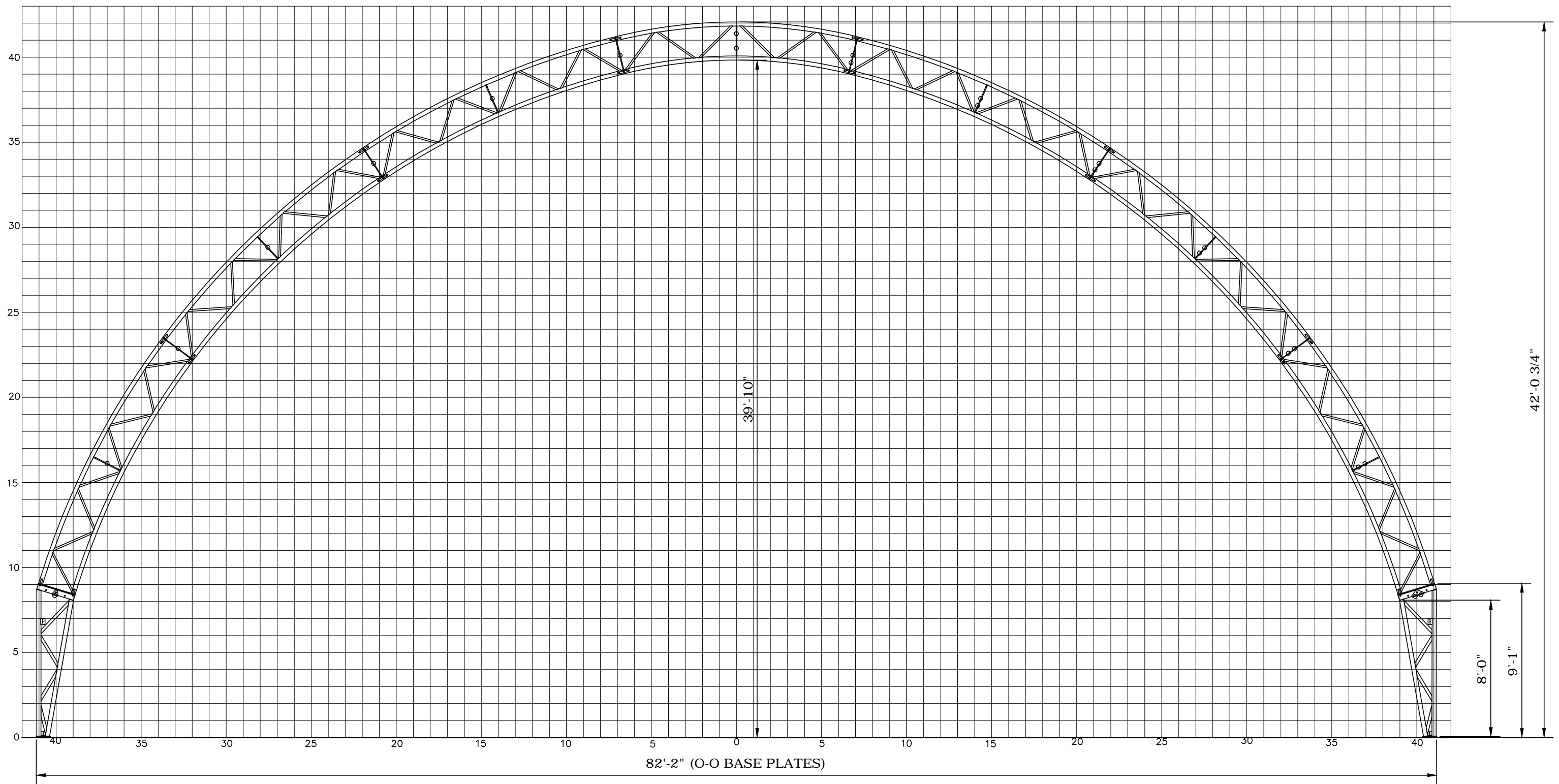


X:\DESIGN\AUTOCAD\PROFILE DWG\2014\PROFILES\82 HT 8' STEEL LEG PROFILE.dwg
 Mar 31, 2015 - 9:49am



			Calhoun Superstructure Ltd. 3702 Bruce Rd #10 Tara, Ontario, Canada NOH 2N0 800-265-3994 www.calhounsuperstructure.com	
			NAME	DATE
			L G G	18/06/2014
			CHECKED	R W H 18/06/2014
			ENG. APPR.	
			PROPRIETARY AND CONFIDENTIAL THE INFORMATION CONTAINED IN THIS DRAWING IS THE SOLE PROPERTY OF CALHOUN SUPERSTRUCTURE. ANY REPRODUCTION IN PART OR AS A WHOLE WITHOUT THE WRITTEN PERMISSION OF CALHOUN SUPERSTRUCTURE IS PROHIBITED	
No.	DESCRIPTION	DATE		
REVISION / ISSUE				

**82' HT PROFILE
ON 8'-0" STEEL LEG**

SIZE: **D** DWG. NO.: **HT-82**

SCALE: SHEET: **1 OF 1**

N T S