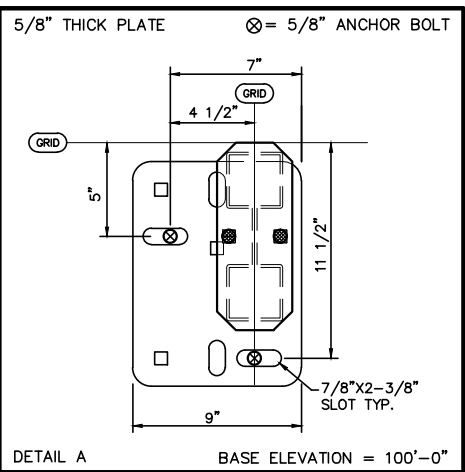
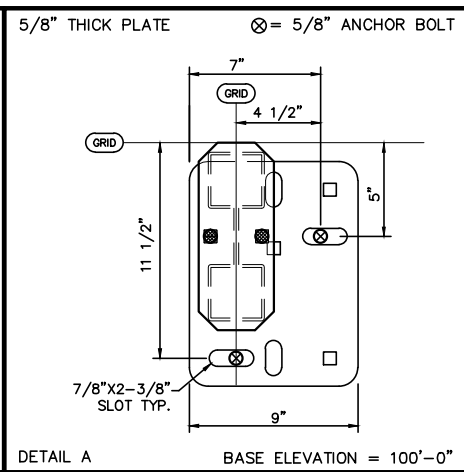
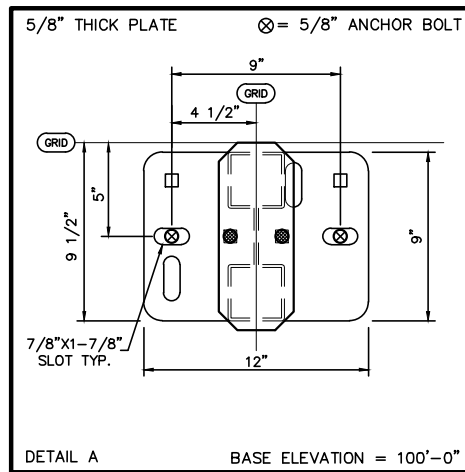
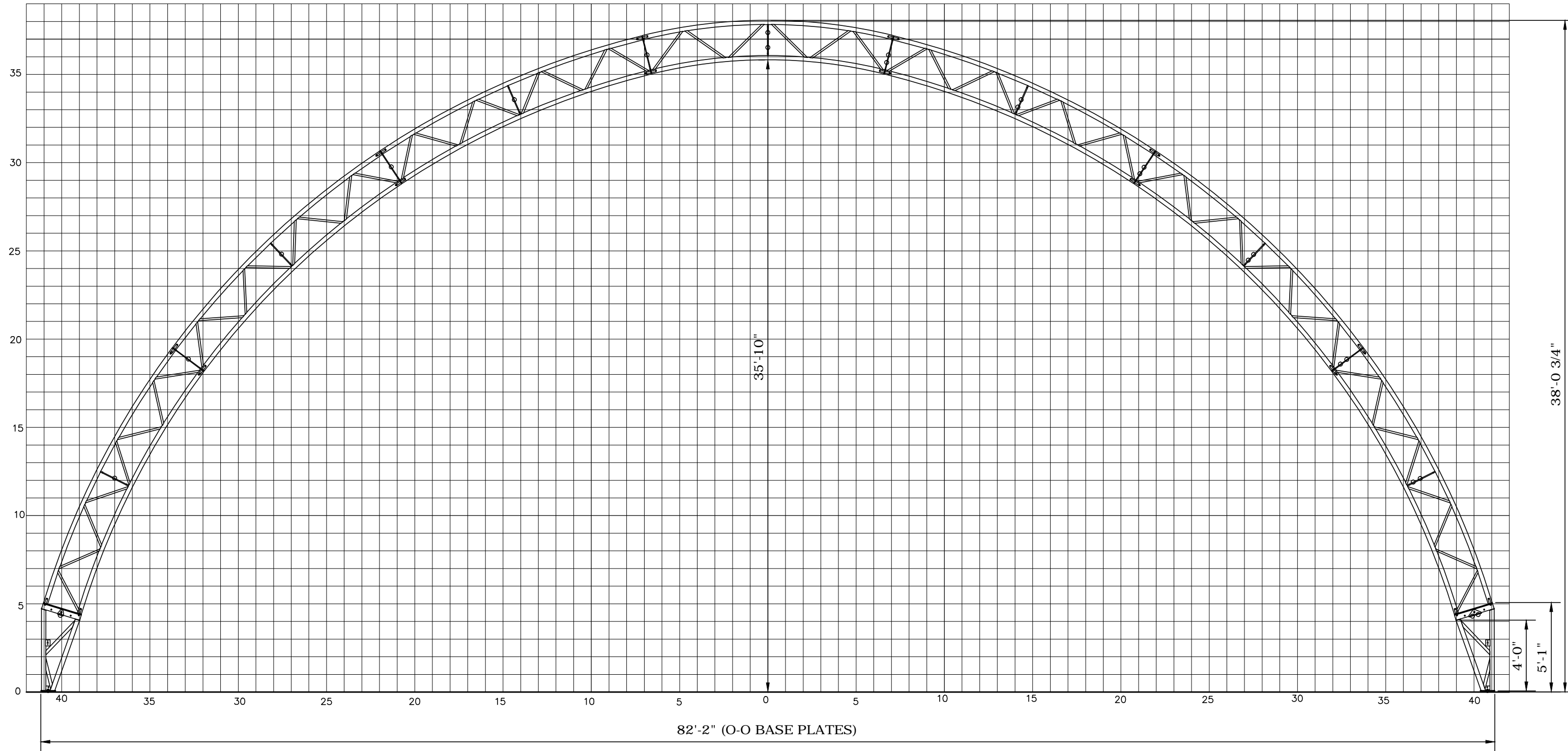


X:\DESIGN\AUTOCAD\PROFILE DWG\2014 PROFILES\82 HT 4' STEEL LEG PROFILE.dwg
 Mar 30, 2015 - 4:24pm



| | | | | | |
|------------------|-------------|------|--|--------------|------------|
| | | | Calhoun Superstructure Ltd. 3702 Bruce Rd #10 Tara, Ontario, Canada NOH 2N0 800-265-3994 www.calhounsuperstructure.com | | |
| | | | NAME | DATE | |
| | | | DRAWN | L G G | 17/06/2014 |
| | | | CHECKED | R W H | 17/06/2014 |
| | | | ENG. APPR. | | |
| | | | PROPRIETARY AND CONFIDENTIAL THE INFORMATION CONTAINED IN THIS DRAWING IS THE SOLE PROPERTY OF CALHOUN SUPERSTRUCTURE. ANY REPRODUCTION IN PART OR AS A WHOLE WITHOUT THE WRITTEN PERMISSION OF CALHOUN SUPERSTRUCTURE IS PROHIBITED | | |
| No. | DESCRIPTION | DATE | SIZE | DWG. NO. | |
| | | | D | HT-82 | |
| REVISION / ISSUE | | | SCALE: | SHEET 1 OF 1 | |