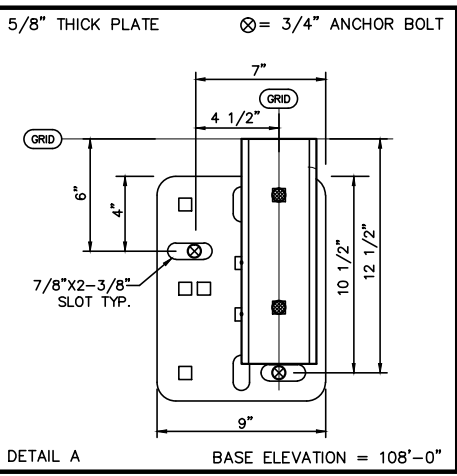
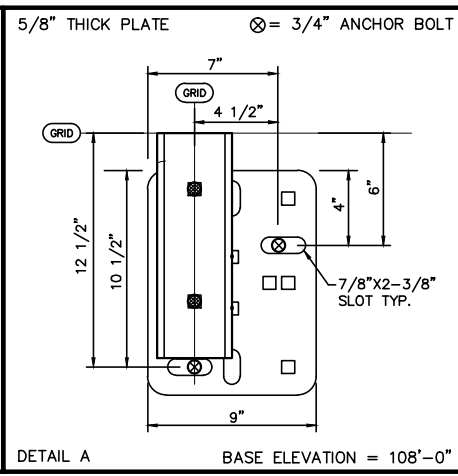
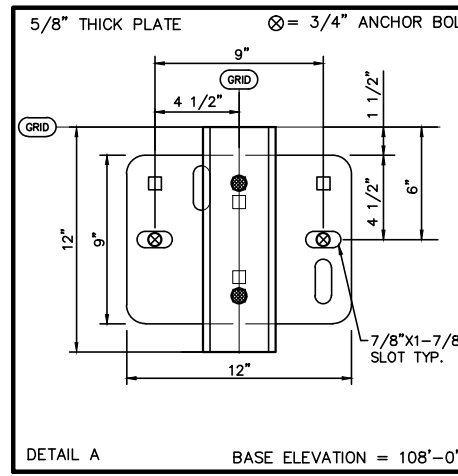
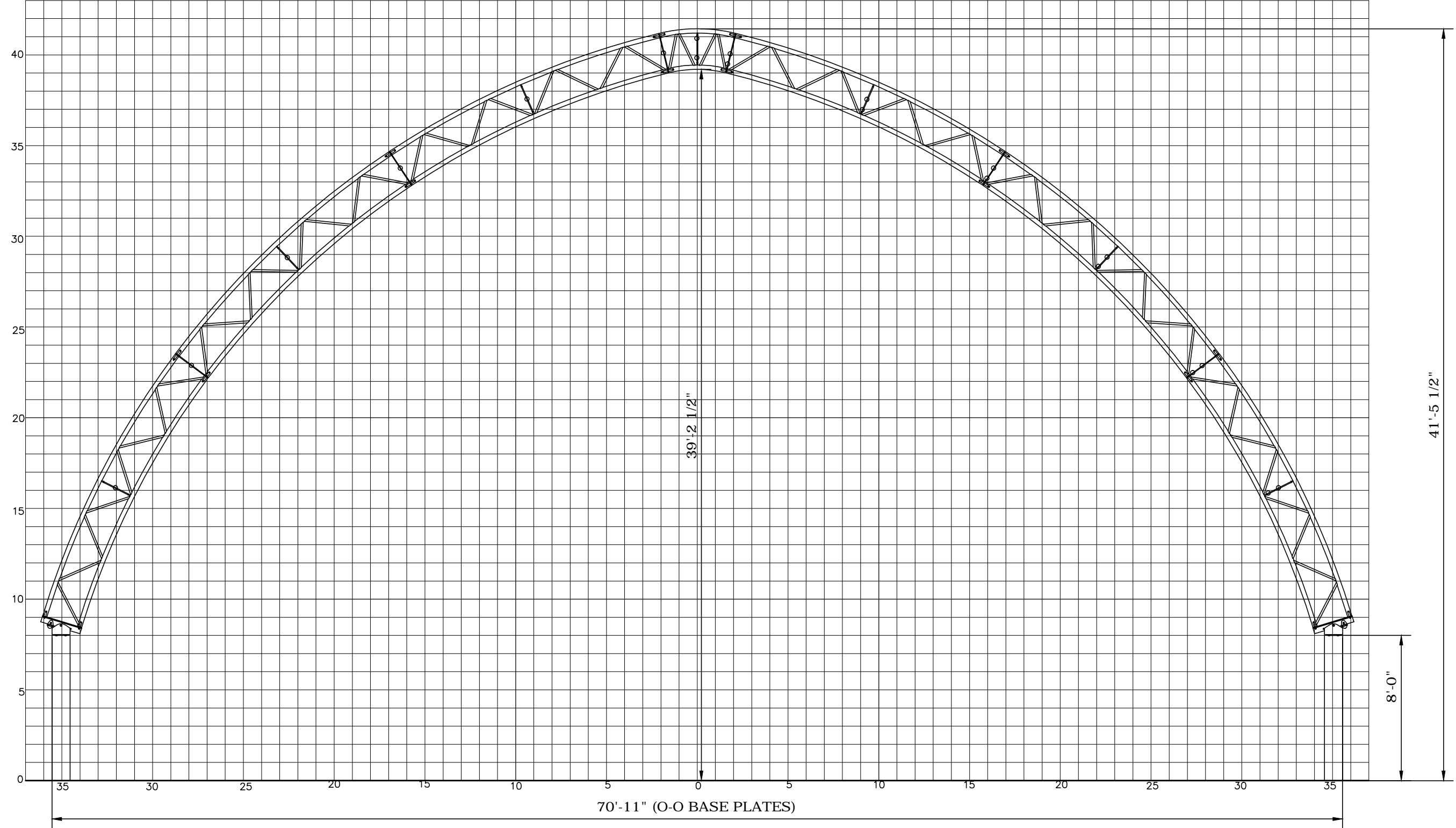


Y:\DESIGN\AUTOCAD\PROFILE DWG\2014 PROFILES\72 HT CONC PROFILE.DWG
 Mar 30, 2015 - 4:22pm



Calhoun Superstructure Ltd. 3702 Bruce Rd #10 Tara, Ontario, Canada NOH 2N0 800-265-3994 www.calhounsuperstructure.com		
	NAME	DATE
DRAWN	L G G	17/06/2014
CHECKED	R W H	17/06/2014
ENG. APPR.		
PROPRIETARY AND CONFIDENTIAL THE INFORMATION CONTAINED IN THIS DRAWING IS THE SOLE PROPERTY OF CALHOUN SUPERSTRUCTURE. ANY REPRODUCTION IN PART OR AS A WHOLE WITHOUT THE WRITTEN PERMISSION OF CALHOUN SUPERSTRUCTURE IS PROHIBITED		
No.	DESCRIPTION	DATE
REVISION / ISSUE		

**72' HT PROFILE
ON CONCRETE WALL**

SIZE: **D** DWG. NO.: **HT-72**

SCALE: SHEET: **1 OF 1**

N T S