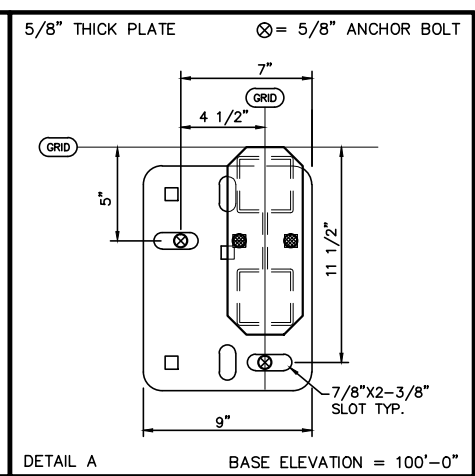
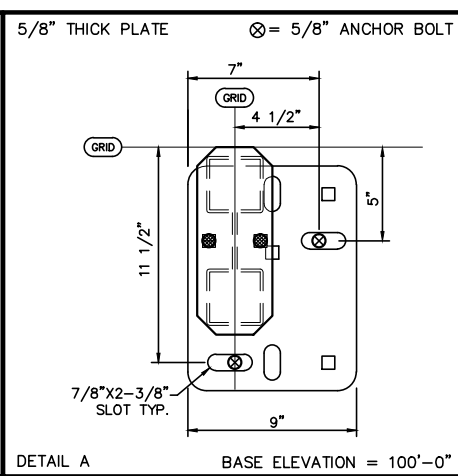
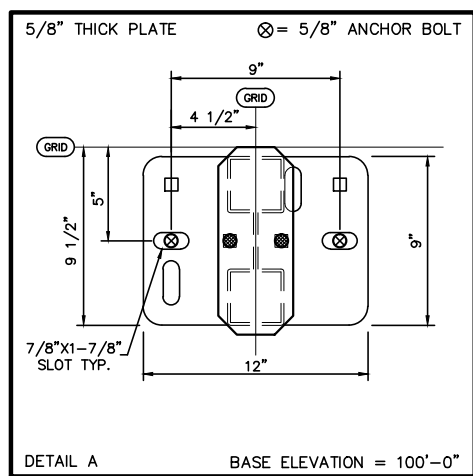
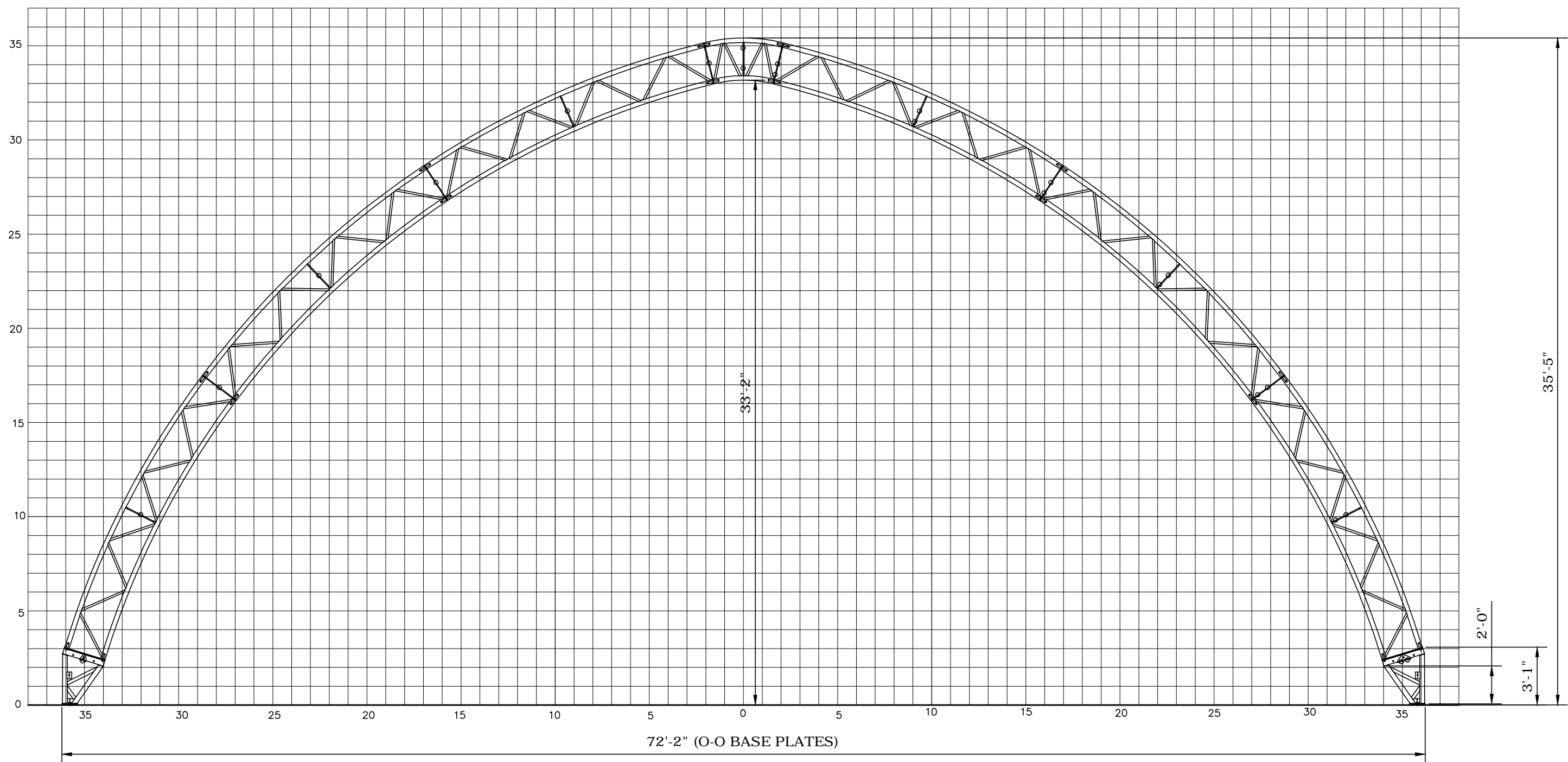


X:\DESIGN\AUTOCAD\PROFILE DWG\2014 PROFILES\72 HT 2 STEEL LEG PROFILE.dwg
 17/06/2015 4:15pm



			Calhoun Superstructure Ltd. 3702 Bruce Rd #10 Tara, Ontario, Canada NOH 2N0 800-265-3994 www.calhounsuperstructure.com	
	NAME	DATE	dd/mm/yyyy	
	DRAWN	L G G	17/06/2014	
	CHECKED	R W H	17/06/2014	
	ENG. APPR.			
PROPRIETARY AND CONFIDENTIAL THE INFORMATION CONTAINED IN THIS DRAWING IS THE SOLE PROPERTY OF CALHOUN SUPERSTRUCTURE. ANY REPRODUCTION IN PART OR AS A WHOLE WITHOUT THE WRITTEN PERMISSION OF CALHOUN SUPERSTRUCTURE IS PROHIBITED				
No.	DESCRIPTION	DATE	SIZE	DWG. NO.
	REVISION / ISSUE		D	HT-72

**72' HT PROFILE
ON 2'-0" STEEL LEG**

SCALE: N T S SHEET 1 OF 1