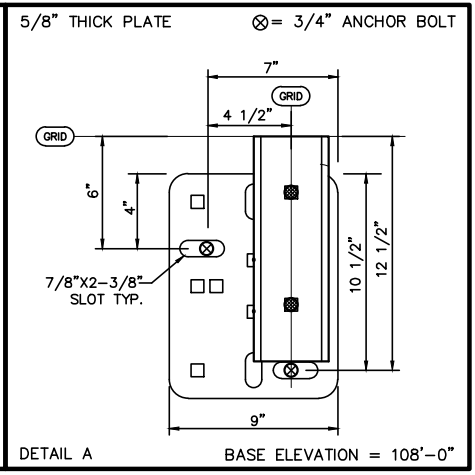
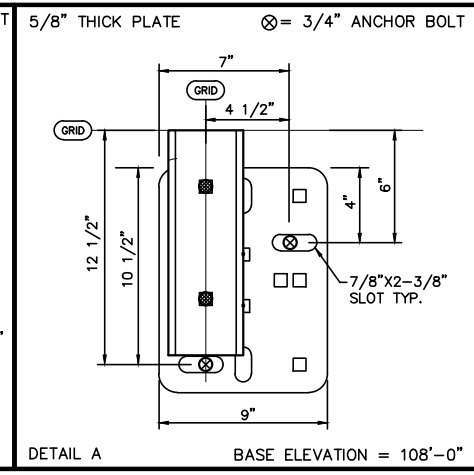
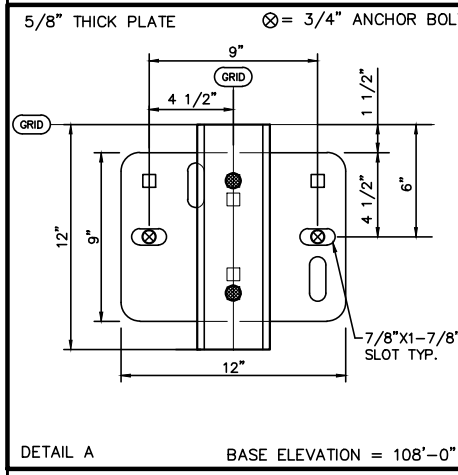
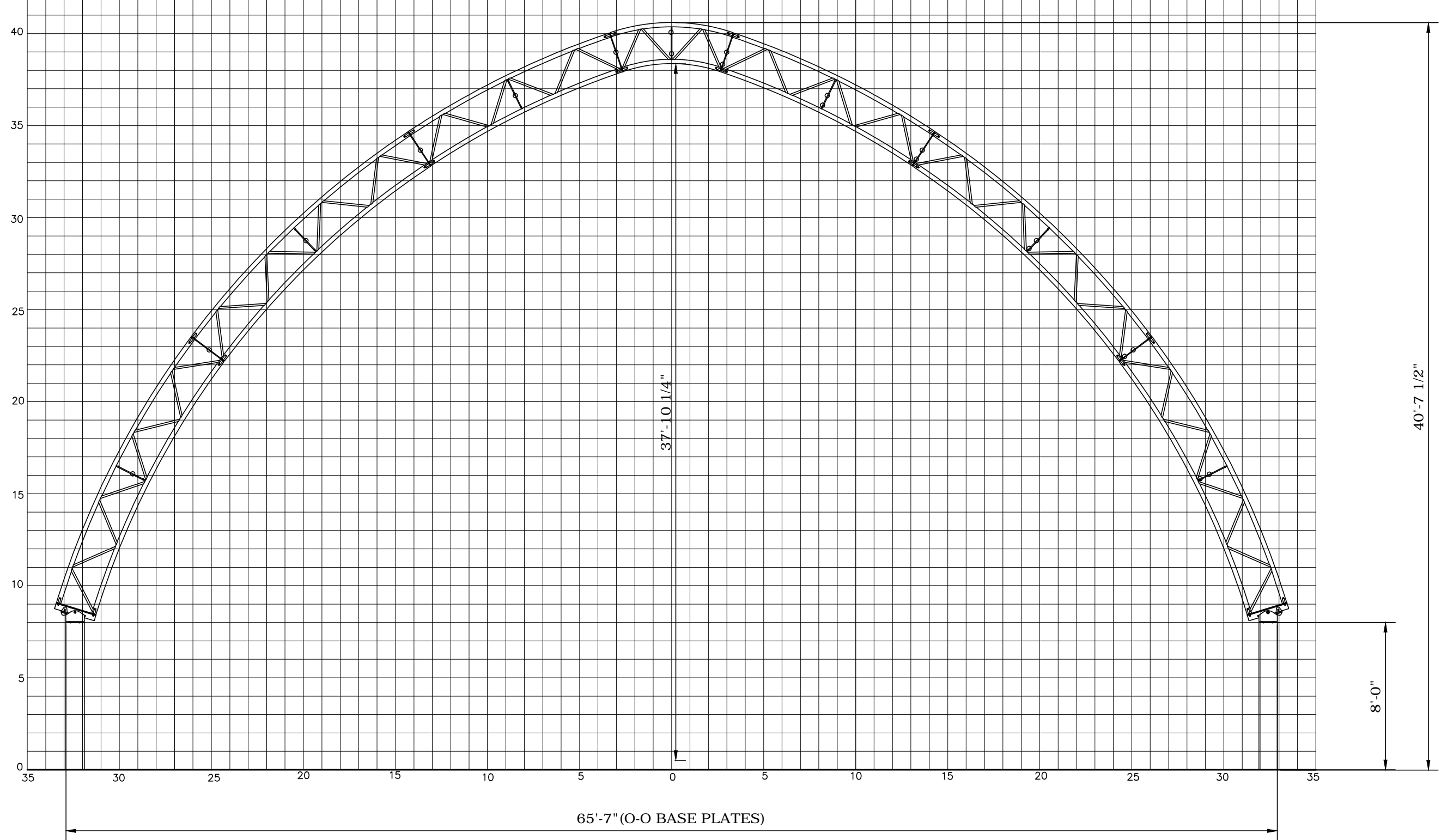


Y:\DESIGN\AUTOCAD\PROFILE DWG\2014 PROFILES\65 HT CONC PROFILE.DWG  
 Mar 30, 2015 - 4:12pm



			Calhoun Superstructure Ltd. 3702 Bruce Rd #10 Tara, Ontario, Canada NOH 2N0 800-265-3994 www.calhounsuperstructure.com	
		NAME	DATE	
		L G G	17/06/2014	
		CHECKED	R W H	17/06/2014
		ENG. APPR.		
PROPRIETARY AND CONFIDENTIAL THE INFORMATION CONTAINED IN THIS DRAWING IS THE SOLE PROPERTY OF CALHOUN SUPERSTRUCTURE. ANY REPRODUCTION IN PART OR AS A WHOLE WITHOUT THE WRITTEN PERMISSION OF CALHOUN SUPERSTRUCTURE IS PROHIBITED				
No.	DESCRIPTION	DATE		
REVISION / ISSUE				

**65' HT PROFILE  
ON CONCRETE WALL**

SIZE	DWG. NO.
D	HT-65
SCALE:	N T S SHEET 1 OF 1