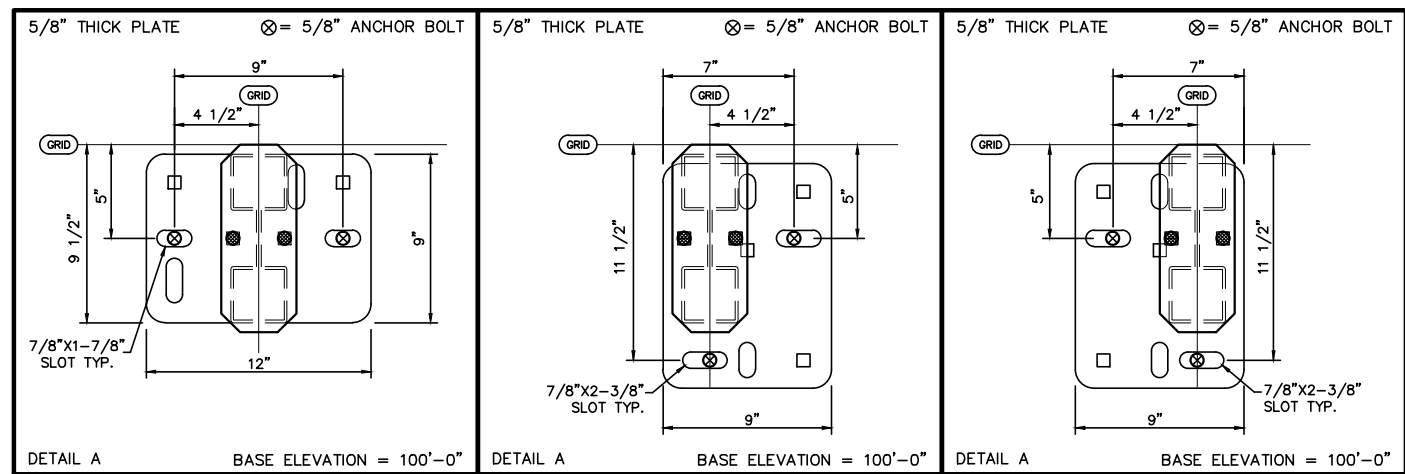
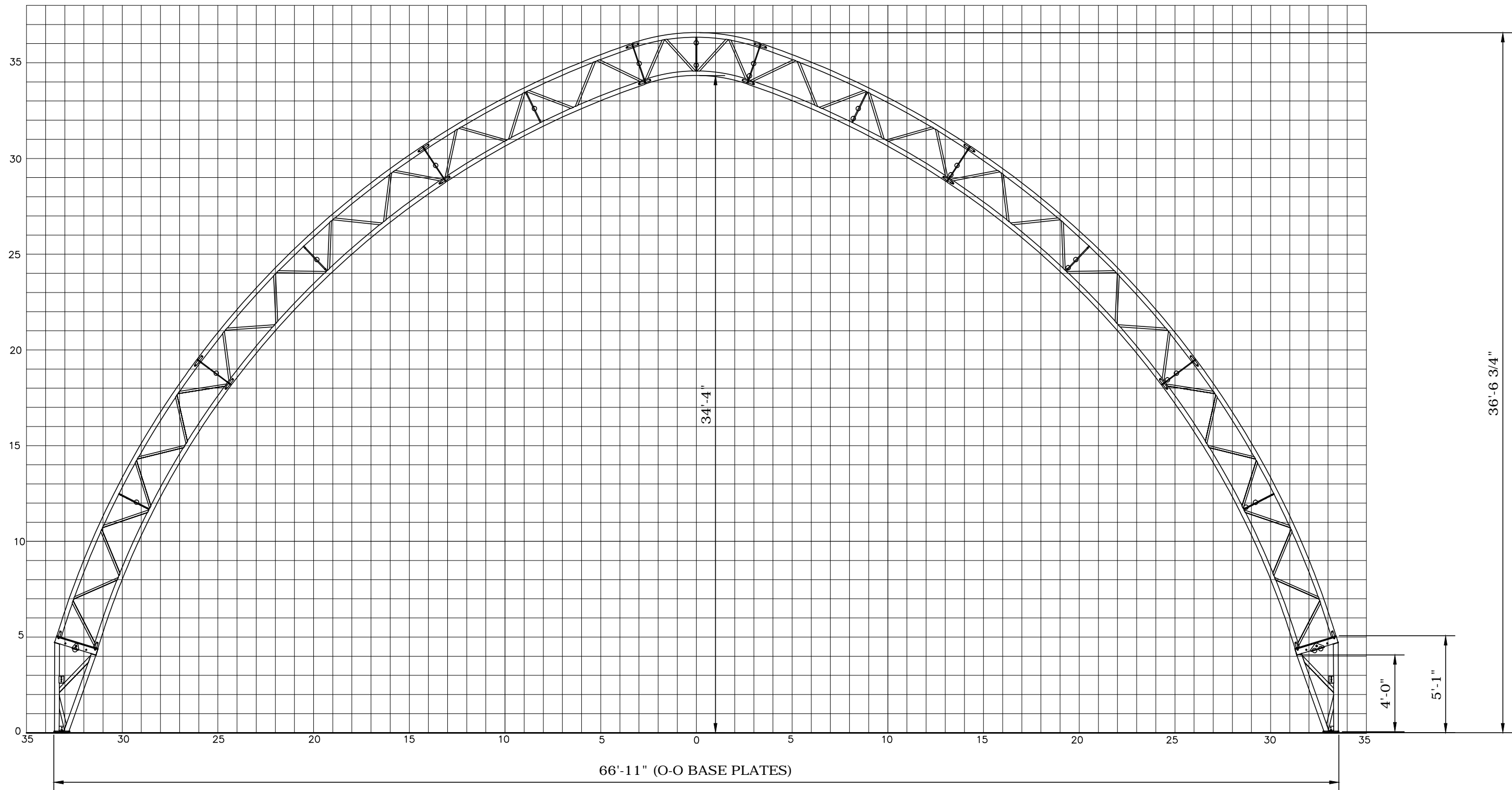


X:\DESIGN\AUTOCAD\PROFILE DWG\2014 PROFILES\65 HT 4' STEEL LEG PROFILE.dwg  
 Mar 30, 2015 - 3:52pm



Calhoun Superstructure Ltd. 3702 Bruce Rd #10 Tara, Ontario, Canada NOH 2N0 800-265-3994 <a href="http://www.calhounsuperstructure.com">www.calhounsuperstructure.com</a>				
			NAME L G G	DATE 17/06/2014
			CHECKED R W H	17/06/2014
			ENG. APPR.	
PROPRIETARY AND CONFIDENTIAL THE INFORMATION CONTAINED IN THIS DRAWING IS THE SOLE PROPERTY OF CALHOUN SUPERSTRUCTURE. ANY REPRODUCTION IN PART OR AS A WHOLE WITHOUT THE WRITTEN PERMISSION OF CALHOUN SUPERSTRUCTURE IS PROHIBITED				
No.	DESCRIPTION	DATE	SIZE <b>D</b>	
REVISION / ISSUE			DWG. NO. <b>HT-65</b>	
			SCALE: N T S	
			SHEET <b>1 OF 1</b>	