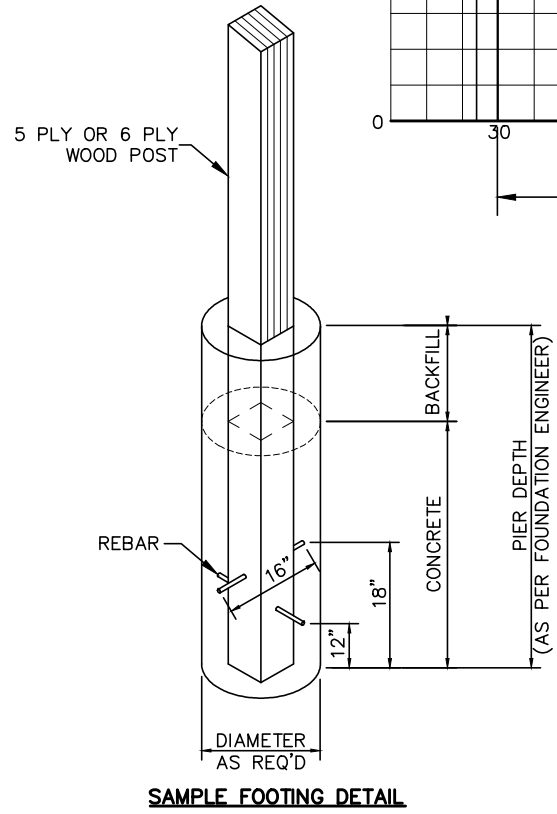
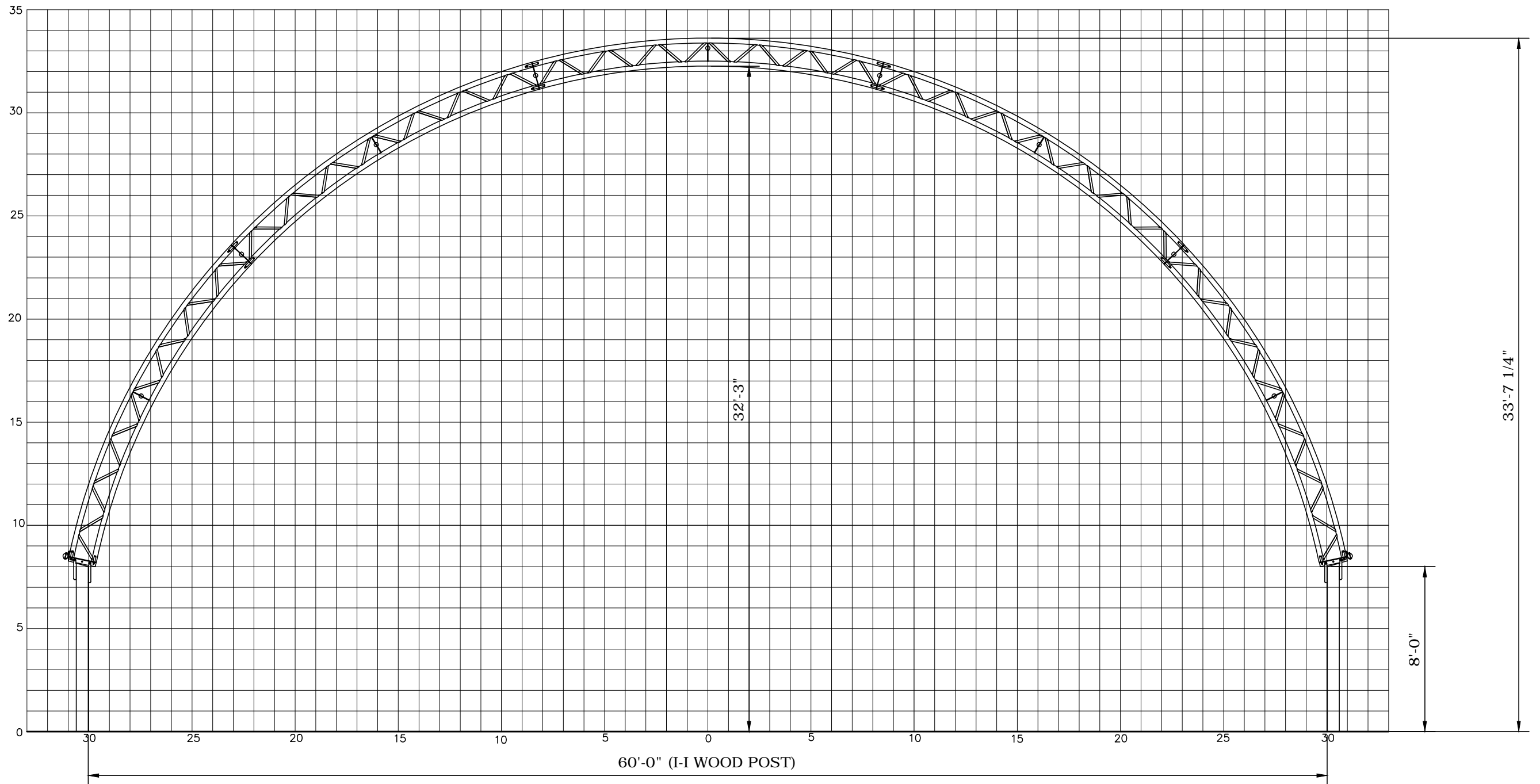


X:\DESIGN\AUTOCAD\PROFILE DWG\2014\PROFILES\62 CC WOOD PROFILE.dwg
 Mar 30, 2015 - 2:52pm



SAMPLE FOOTING DETAIL

Calhoun Superstructure Ltd. 3702 Bruce Rd #10 Tara, Ontario, Canada NOH 2N0 800-265-3994 www.calhounsuperstructure.com					
			NAME	DATE	
			DRAWN L G G	16/06/2014	
			CHECKED R W H	16/06/2014	
			ENG. APPR.		
PROPRIETARY AND CONFIDENTIAL THE INFORMATION CONTAINED IN THIS DRAWING IS THE SOLE PROPERTY OF CALHOUN SUPERSTRUCTURE. ANY REPRODUCTION IN PART OR AS A WHOLE WITHOUT THE WRITTEN PERMISSION OF CALHOUN SUPERSTRUCTURE IS PROHIBITED					
			SIZE	DWG. NO.	
			D	CC-62	
No. DESCRIPTION DATE			SCALE:		
REVISION / ISSUE			N T S SHEET 1 OF 1		