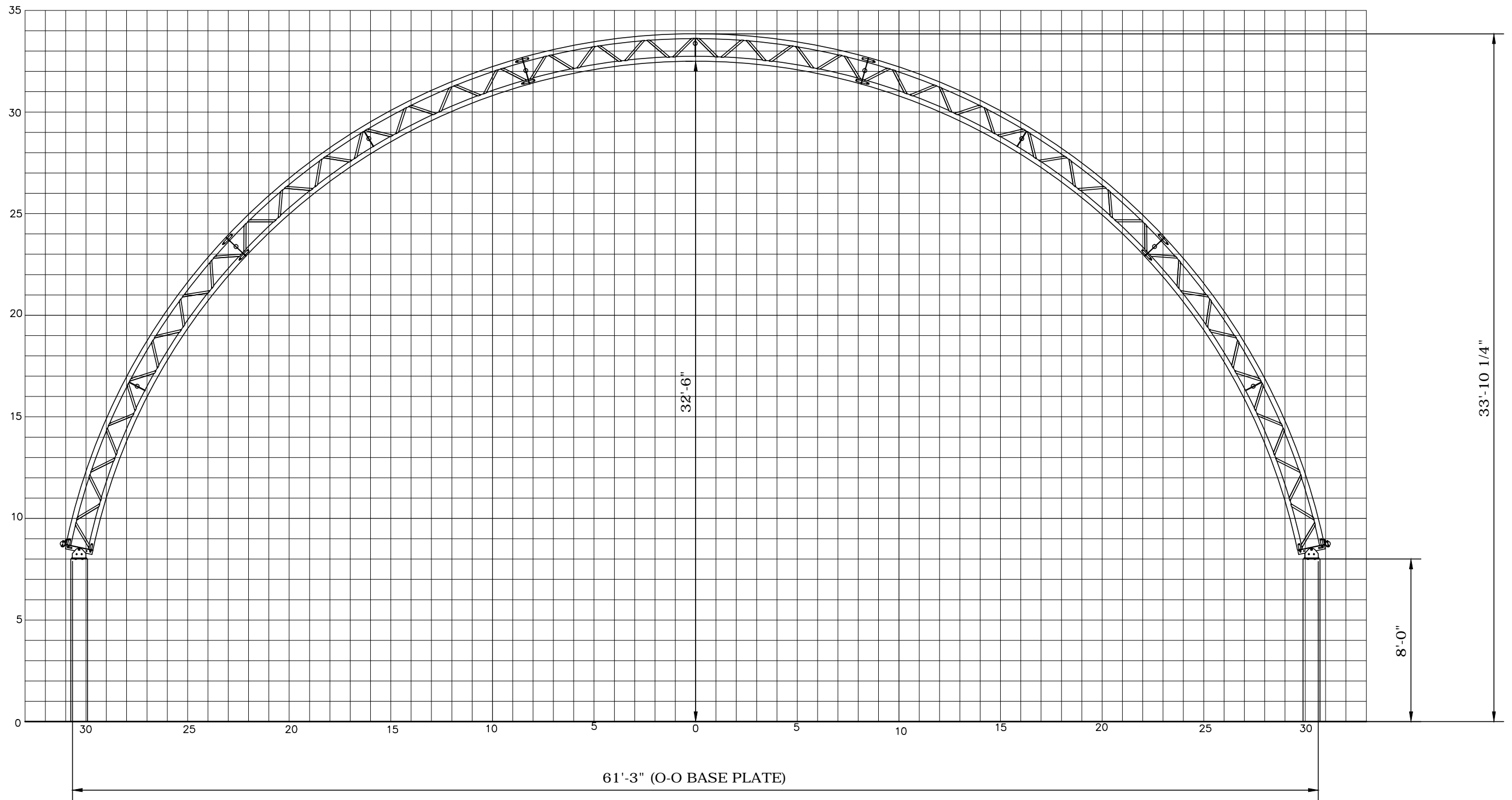
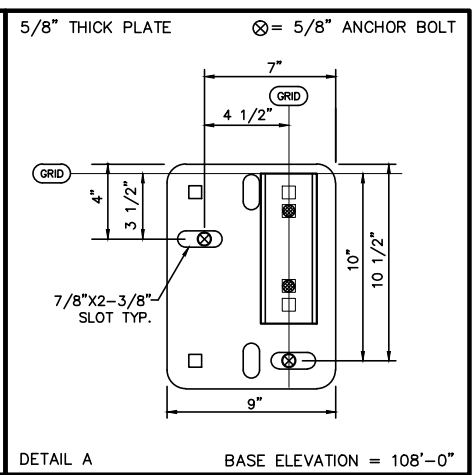
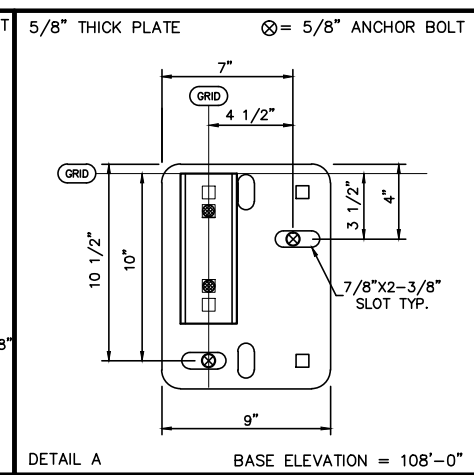
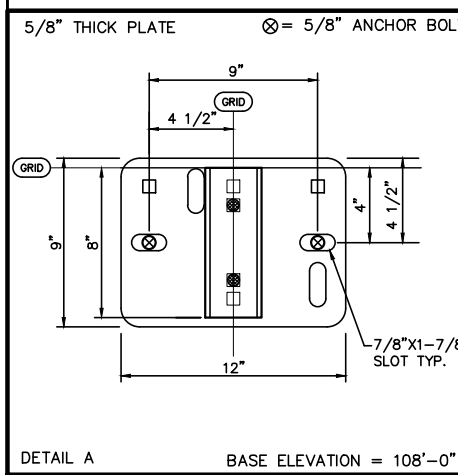


Y:\DESIGN\AUTOCAD\PROFILE DWG\2014 PROFILES\62 CC CONC PROFILE.dwg  
 Mar 30, 2015 - 2:50pm



61'-3" (O-O BASE PLATE)



No.	DESCRIPTION	DATE
	REVISION / ISSUE	

Calhoun Superstructure Ltd.  
 3702 Bruce Rd #10  
 Tara, Ontario, Canada  
 NOH 2N0  
 800-265-3994  
 www.calhounsuperstructure.com

NAME	DATE
L G G	16/06/2014
CHECKED	16/06/2014
ENG. APPR.	

PROPRIETARY AND CONFIDENTIAL  
 THE INFORMATION CONTAINED IN THIS  
 DRAWING IS THE SOLE PROPERTY OF  
 CALHOUN SUPERSTRUCTURE. ANY  
 REPRODUCTION IN PART OR AS A WHOLE  
 WITHOUT THE WRITTEN PERMISSION OF  
 CALHOUN SUPERSTRUCTURE IS PROHIBITED

**62' CC PROFILE  
ON CONCRETE WALL**

SIZE	DWG. NO.
D	CC-62
SCALE:	SHEET
N T S	1 OF 1