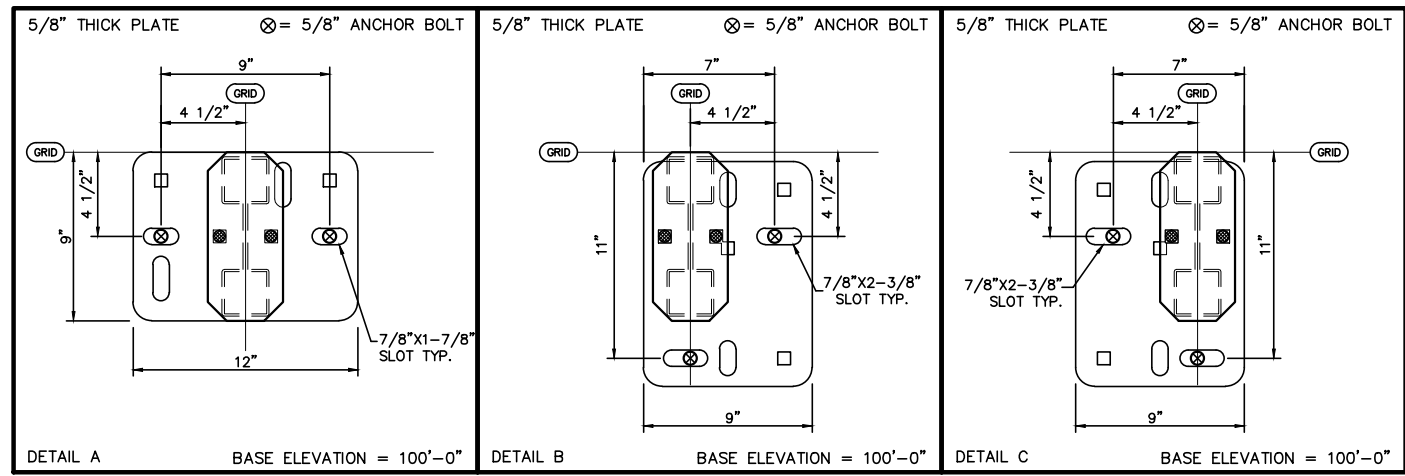
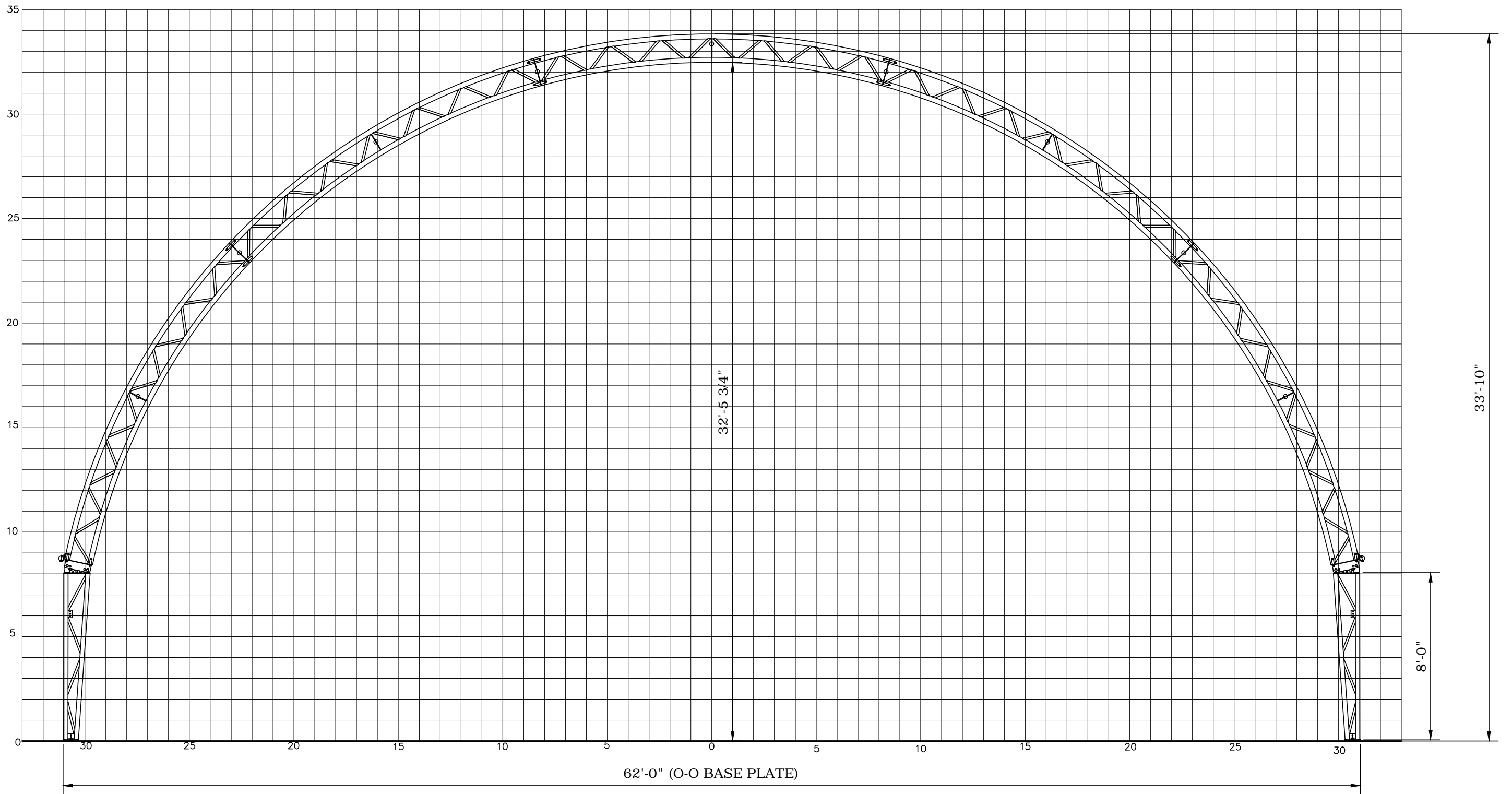


Y:\DESIGN\AUTOCAD\PROFILE DWG\2014\PROFILES\02 CC 8' STEEL LEG PROFILE.dwg
 16/06/2015 - 2:40pm



		Calhoun Superstructure Ltd. 3702 Bruce Rd #10 Tara, Ontario, Canada NOH 2N0 800-265-3994 www.calhounsuperstructure.com			
			NAME		DATE
		DRAWN	L G G		16/06/2014
		CHECKED	R W H		16/06/2014
		ENG. APPR.			
		PROPRIETARY AND CONFIDENTIAL THE INFORMATION CONTAINED IN THIS DRAWING IS THE SOLE PROPERTY OF CALHOUN SUPERSTRUCTURE. ANY REPRODUCTION IN PART OR AS A WHOLE WITHOUT THE WRITTEN PERMISSION OF CALHOUN SUPERSTRUCTURE IS PROHIBITED			
No.	DESCRIPTION	DATE	REVISION / ISSUE		
		SIZE: D DWG. NO.: CC-62 SCALE: N T S SHEET 1 OF 1			