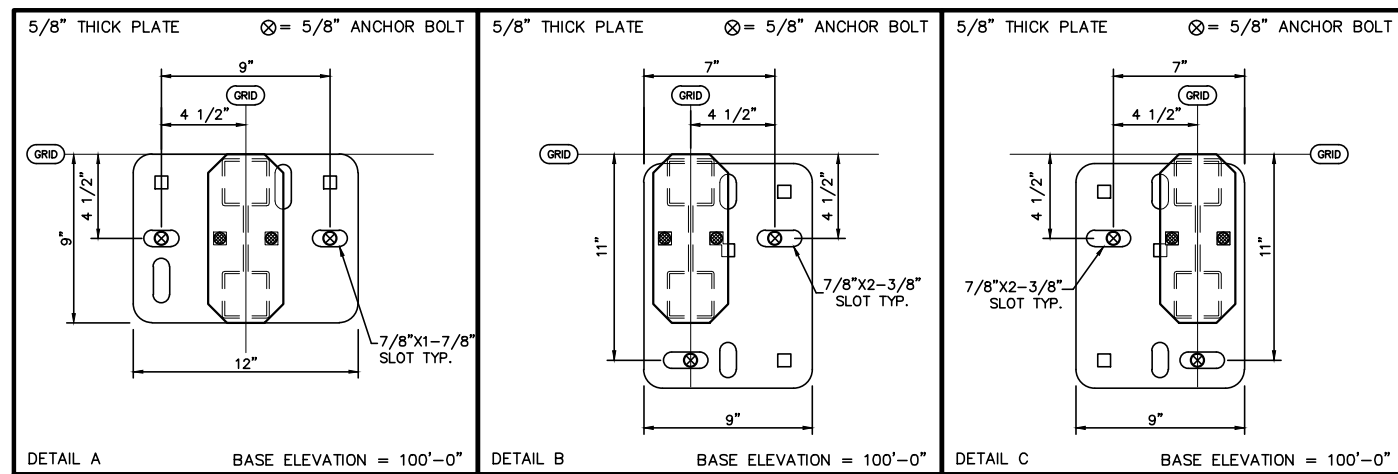
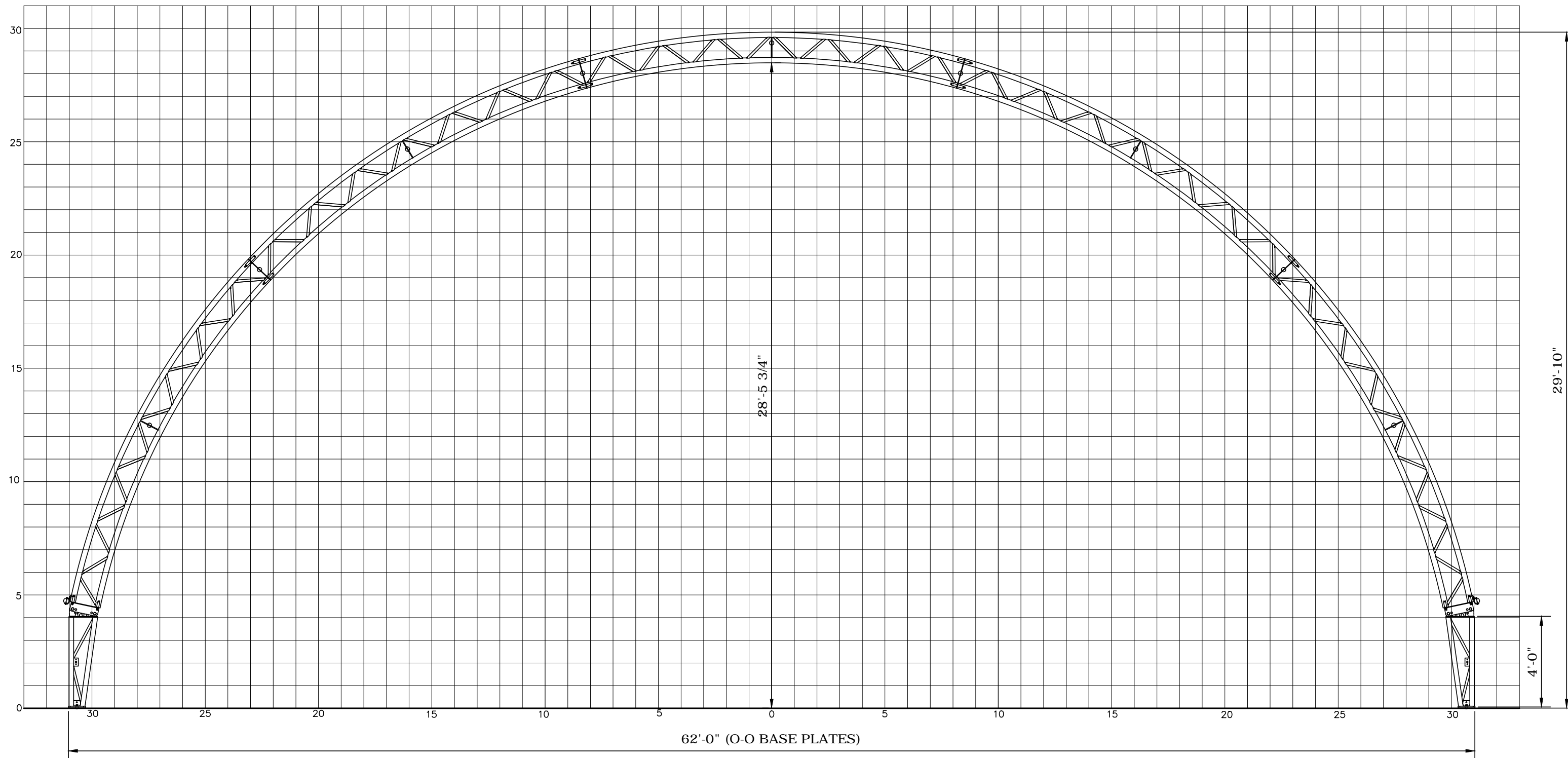


X:\DESIGN\AUTOCAD PROFILE DWG\2014 PROFILES\62 CC 4' STEEL LEG PROFILE.dwg
 Mar 30, 2015 - 2:32pm



Calhoun Superstructure Ltd. 3702 Bruce Rd #10 Tara, Ontario, Canada NOH 2N0 800-265-3994 www.calhounsuperstructure.com			
	NAME	DATE	
DRAWN	L G G	16/06/2014	
CHECKED	R W H	16/06/2014	
ENG. APPR.			
PROPRIETARY AND CONFIDENTIAL THE INFORMATION CONTAINED IN THIS DRAWING IS THE SOLE PROPERTY OF CALHOUN SUPERSTRUCTURE. ANY REPRODUCTION IN PART OR AS A WHOLE WITHOUT THE WRITTEN PERMISSION OF CALHOUN SUPERSTRUCTURE IS PROHIBITED			SIZE D
No.	DESCRIPTION	DATE	DWG. NO. CC-62
REVISION / ISSUE			SCALE: N T S SHEET 1 OF 1