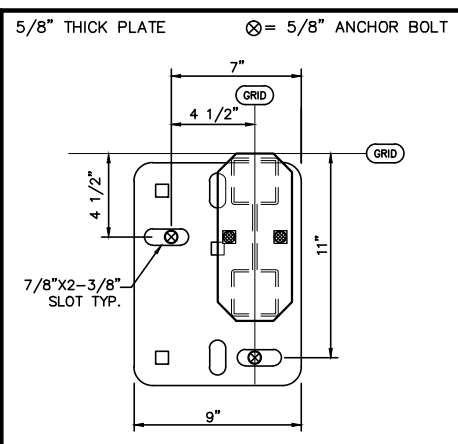
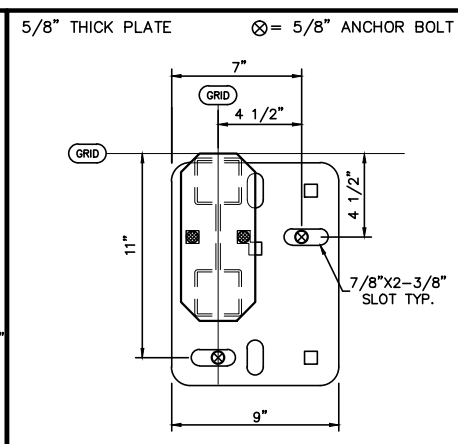
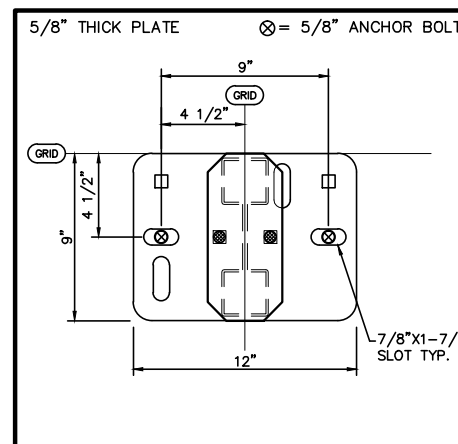
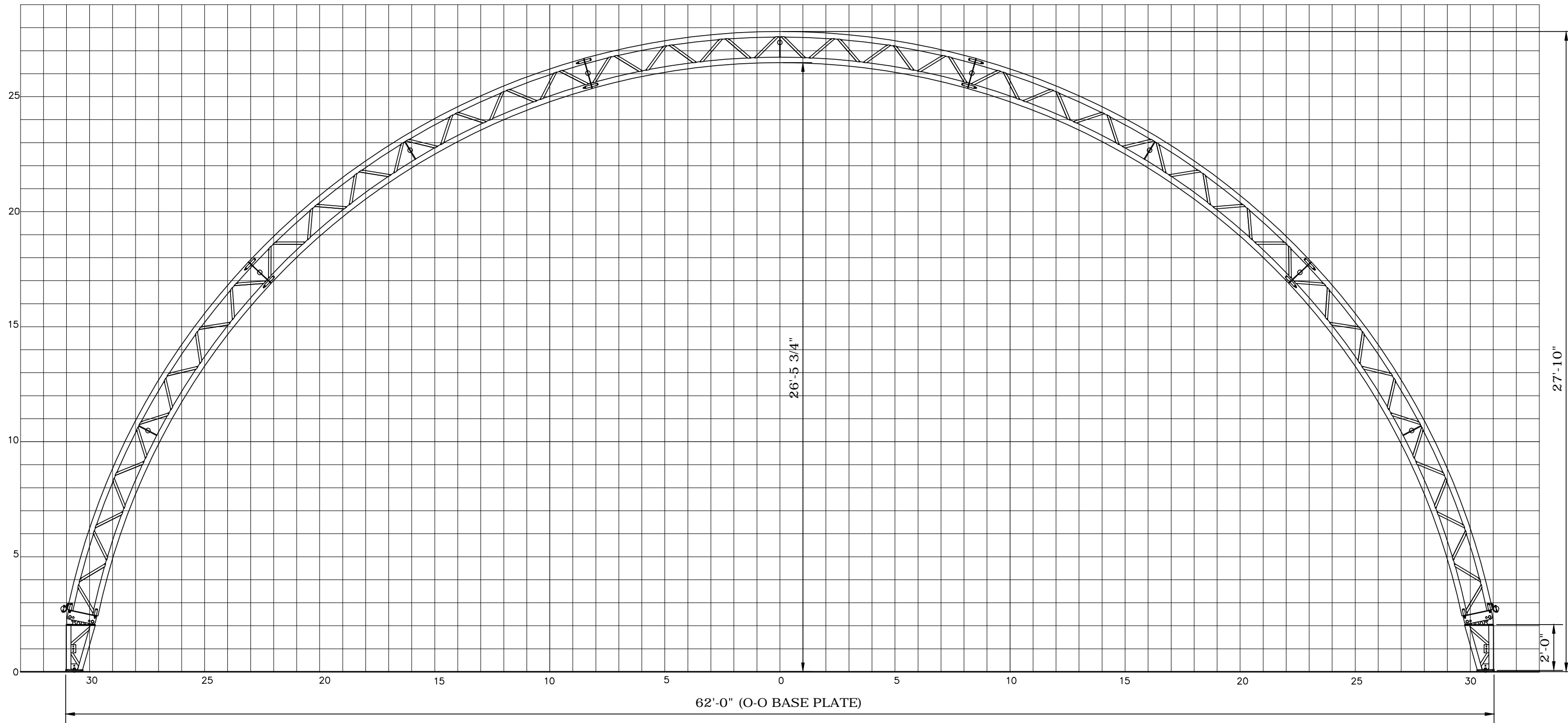


Y:\DESIGN\AUTOCAD\PROFILE DWG\2014 PROFILES\62 CC 2' STEEL LEG PROFILE.DWG  
 Mar 30, 2015 - 2:31pm



DETAIL A    BASE ELEVATION = 100'-0"

DETAIL B    BASE ELEVATION = 100'-0"

DETAIL C    BASE ELEVATION = 100'-0"

		Calhoun Superstructure Ltd. 3702 Bruce Rd #10 Tara, Ontario, Canada NOH 2N0 800-265-3994 www.calhounsuperstructure.com		
		NAME	DATE	
		DRAWN	L G G 16/06/2014	<b>62' CC PROFILE ON 2'-0" STEEL LEG</b>
		CHECKED	R W H 16/06/2014	
		ENG. APPR.		
		PROPRIETARY AND CONFIDENTIAL THE INFORMATION CONTAINED IN THIS DRAWING IS THE SOLE PROPERTY OF CALHOUN SUPERSTRUCTURE. ANY REPRODUCTION IN PART OR AS A WHOLE WITHOUT THE WRITTEN PERMISSION OF CALHOUN SUPERSTRUCTURE IS PROHIBITED		SIZE    DWG. NO. <b>D</b> <b>CC-62</b>
No.	DESCRIPTION	DATE	SCALE:    N T S    SHEET 1 OF 1	
REVISION / ISSUE				