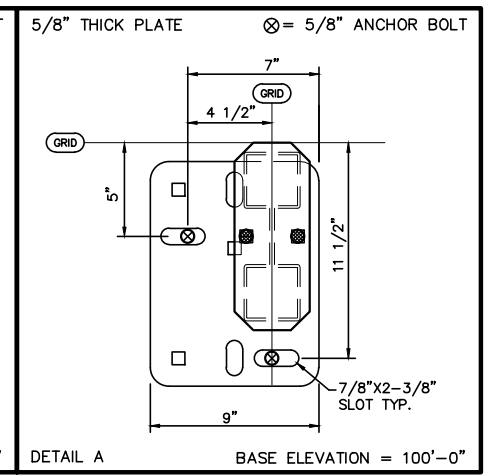
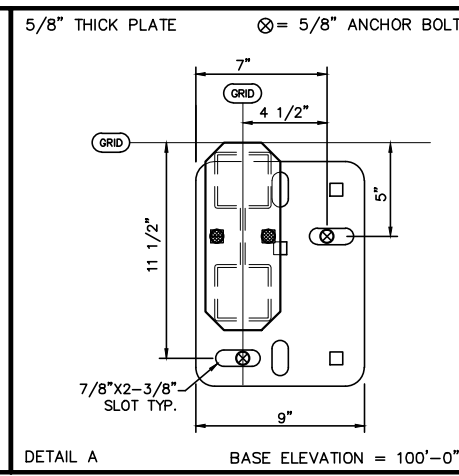
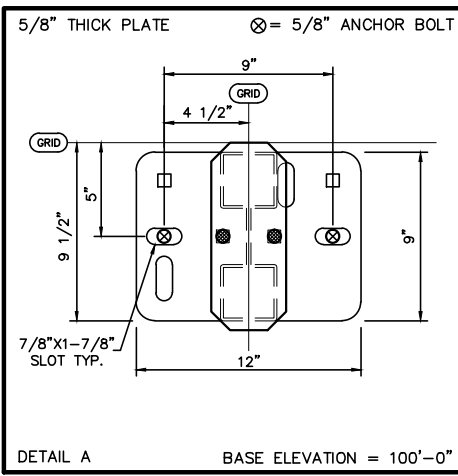
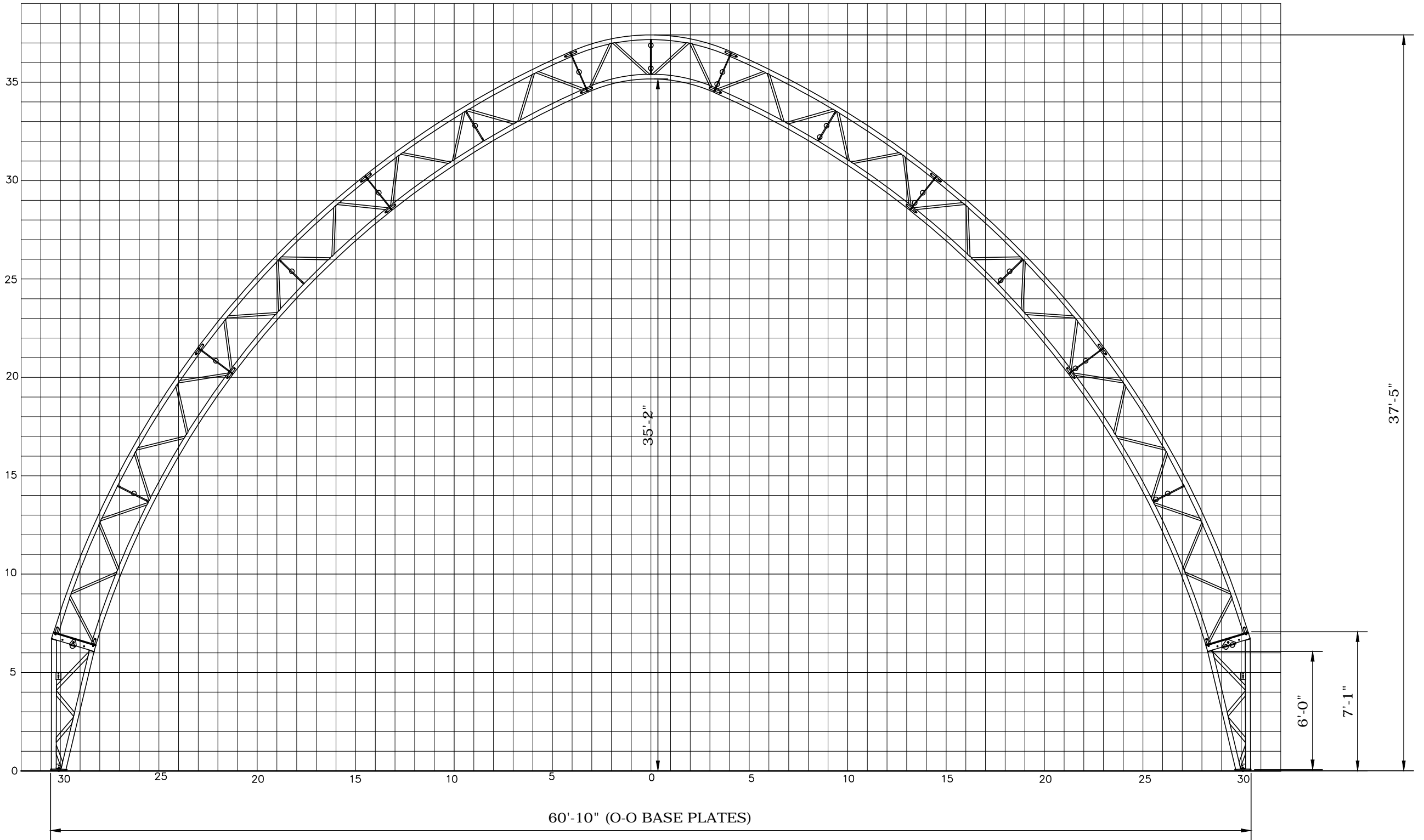


X:\DESIGN\AUTOCAD\PROFILE DWG\2014 PROFILES\60 HT 6" STEEL LEG PROFILE.dwg  
 Mar 30, 2015 - 2:24pm



Calhoun Superstructure Ltd. 3702 Bruce Rd #10 Tara, Ontario, Canada NOH 2N0 800-265-3994 www.calhounsuperstructure.com		
	NAME	DATE
DRAWN	L G G	16/06/2014
CHECKED	R W H	16/06/2014
ENG. APPR.		
PROPRIETARY AND CONFIDENTIAL THE INFORMATION CONTAINED IN THIS DRAWING IS THE SOLE PROPERTY OF CALHOUN SUPERSTRUCTURE. ANY REPRODUCTION IN PART OR AS A WHOLE WITHOUT THE WRITTEN PERMISSION OF CALHOUN SUPERSTRUCTURE IS PROHIBITED		
No.	DESCRIPTION	DATE
REVISION / ISSUE		

**CALHOUN**

60' HT PROFILE  
ON 6'-0" STEEL LEG

SIZE: **D** DWG. NO.: **HT-60**

SCALE: N T S SHEET 1 OF 1