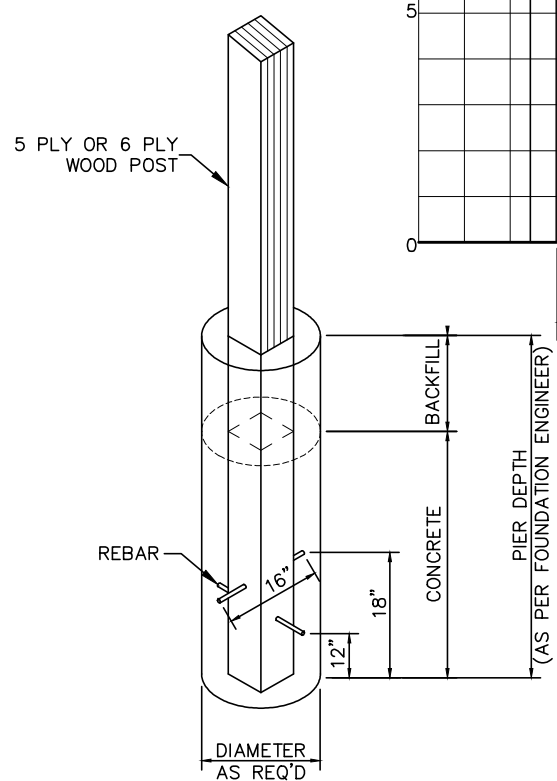
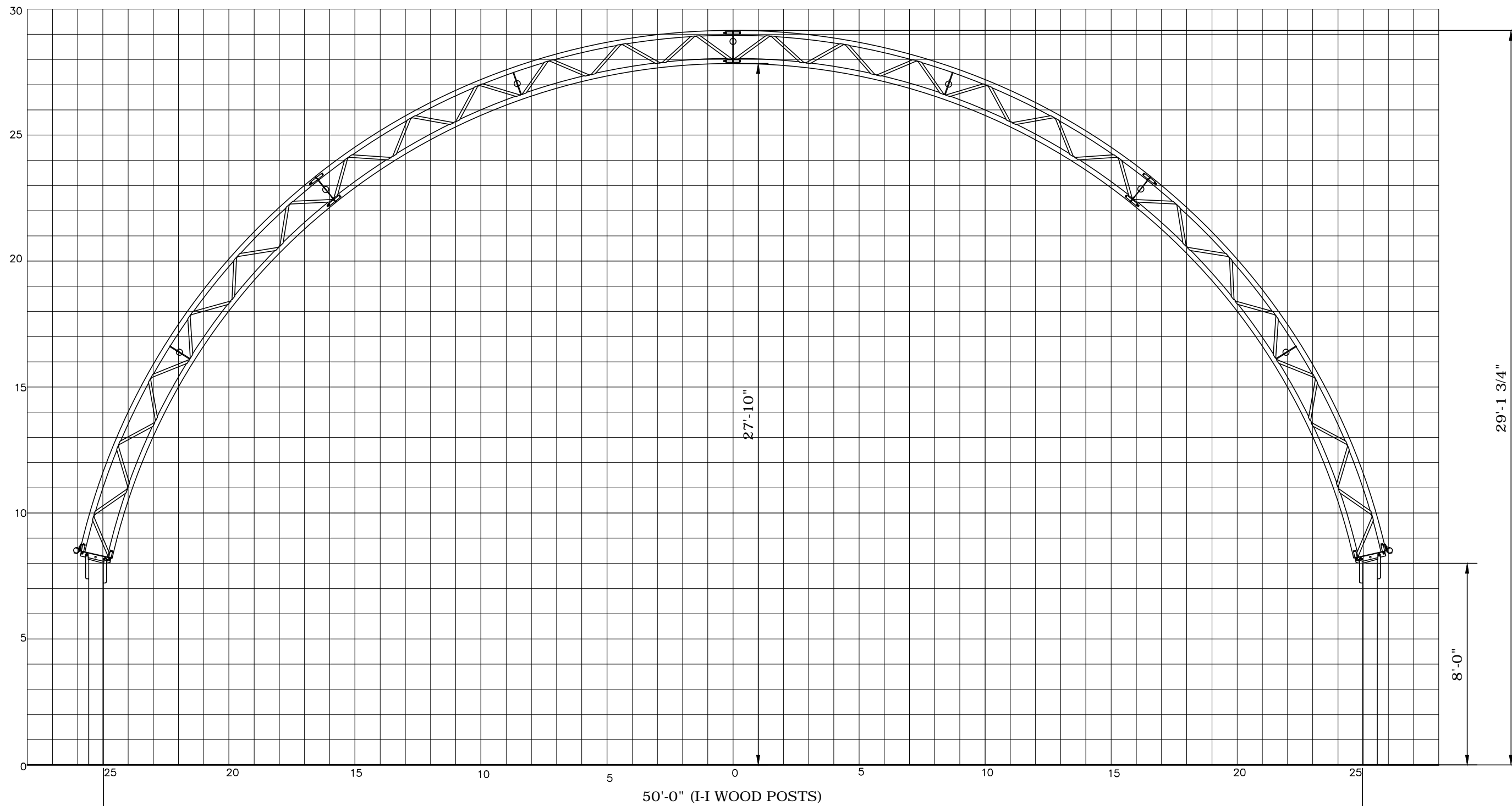


X:\DESIGN\AUTOCAD\PROFILE DWG\2014 PROFILES\52 CC WOOD PROFILE.dwg
 Mar 30, 2015 - 2:20pm



SAMPLE FOOTING DETAIL

Calhoun Superstructure Ltd. 3702 Bruce Rd #10 Tara, Ontario, Canada NOH 2N0 800-265-3994 www.calhounsuperstructure.com				
	NAME	DATE		
	L G G	13/06/2014		
	CHECKED	R W H	13/06/2014	
	ENG. APPR.			
PROPRIETARY AND CONFIDENTIAL THE INFORMATION CONTAINED IN THIS DRAWING IS THE SOLE PROPERTY OF CALHOUN SUPERSTRUCTURE. ANY REPRODUCTION IN PART OR AS A WHOLE WITHOUT THE WRITTEN PERMISSION OF CALHOUN SUPERSTRUCTURE IS PROHIBITED				
No.	DESCRIPTION	DATE	SIZE	DWG. NO.
			D	CC-52
REVISION / ISSUE			SCALE:	SHEET 1 OF 1