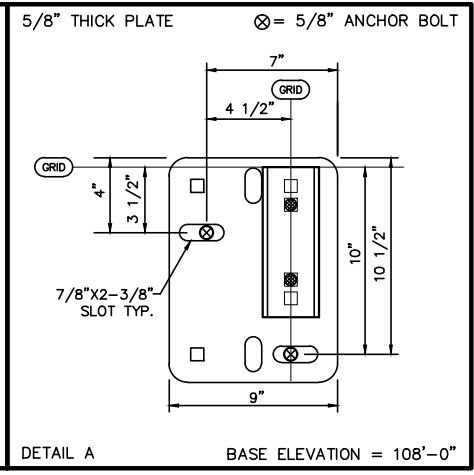
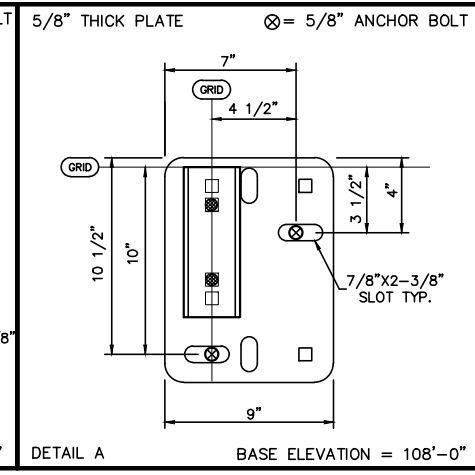
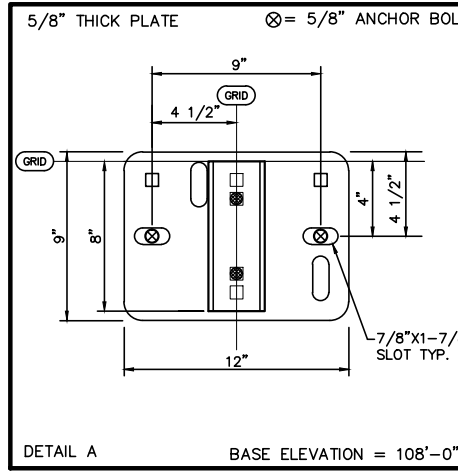
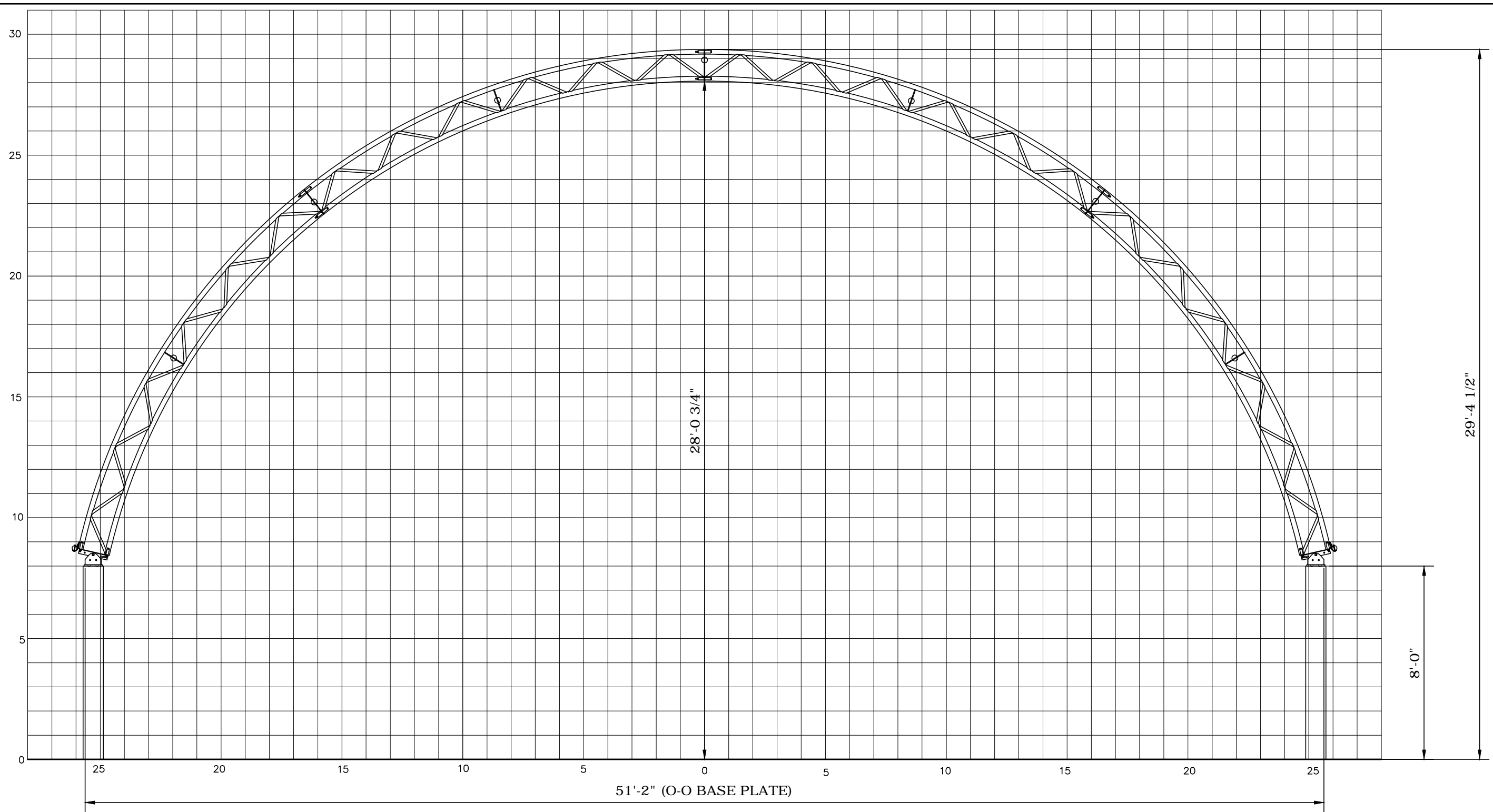



X:\DESIGN\AUTOCAD\PROFILE DWG\2014 PROFILES\52 CC CONC PROFILE.dwg
 Mar 30, 2015 - 2:20pm



Calhoun Superstructure Ltd. 3702 Bruce Rd #10 Tara, Ontario, Canada NOH 2N0 800-265-3994 www.calhounsuperstructure.com		
	NAME	DATE
DRAWN	L G G	13/06/2014
CHECKED	R W H	13/06/2014
ENG. APPR.		
PROPRIETARY AND CONFIDENTIAL THE INFORMATION CONTAINED IN THIS DRAWING IS THE SOLE PROPERTY OF CALHOUN SUPERSTRUCTURE. ANY REPRODUCTION IN PART OR AS A WHOLE WITHOUT THE WRITTEN PERMISSION OF CALHOUN SUPERSTRUCTURE IS PROHIBITED		
No.	DESCRIPTION	DATE
REVISION / ISSUE		



**52' CC PROFILE
ON CONCRETE WALL**

SIZE	DWG. NO.
D	CC-52
SCALE:	N T S
	SHEET 1 OF 1