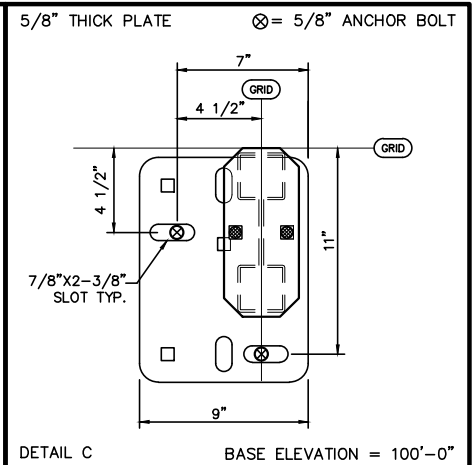
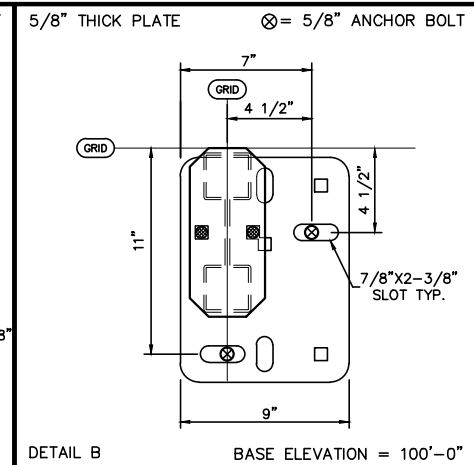
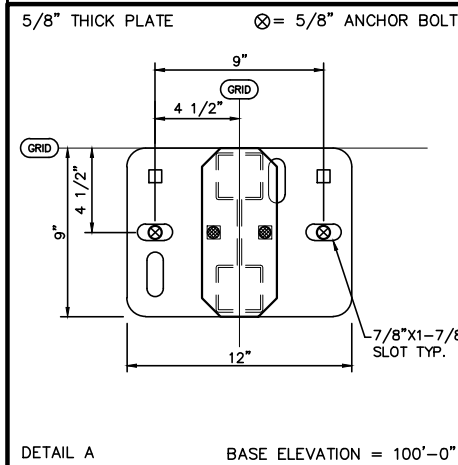
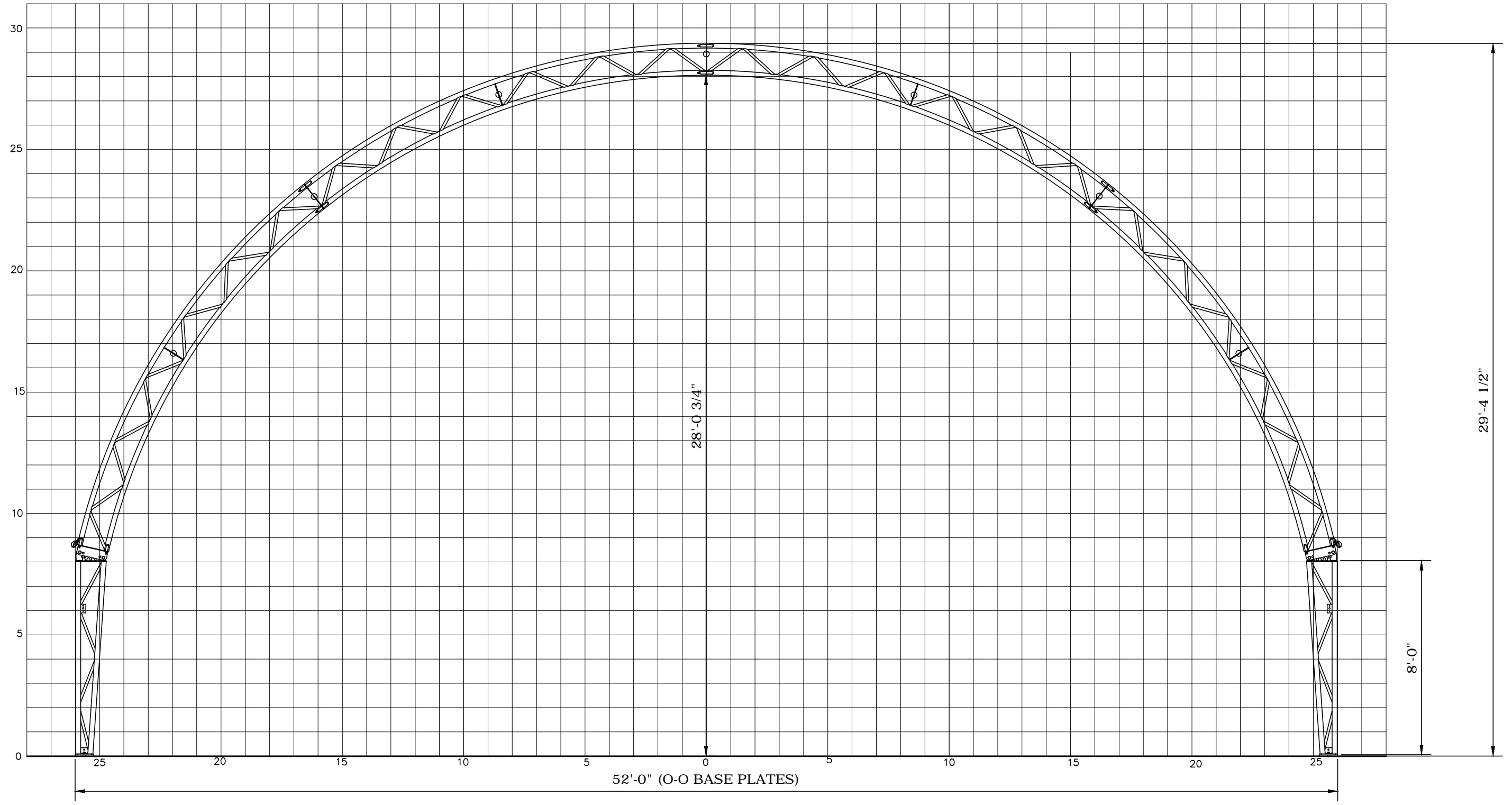


X:\DESIGN\AUTOCAD\PROFILE\2014\PROFILES\92 CC 8' STEEL LEG PROFILE.dwg
 14/03/2015 2:17pm



No.	DESCRIPTION	DATE
	REVISION / ISSUE	

Calhoun Superstructure Ltd.
 3702 Bruce Rd #10
 Tara, Ontario, Canada
 NOH 2N0
 800-265-3994
 www.calhounsuperstructure.com

NAME	DATE
L G G	13/06/2014
CHECKED	R W H 13/06/2014
ENG. APPR.	

PROPRIETARY AND CONFIDENTIAL
 THE INFORMATION CONTAINED IN THIS
 DRAWING IS THE SOLE PROPERTY OF
 CALHOUN SUPERSTRUCTURE. ANY
 REPRODUCTION IN PART OR AS A WHOLE
 WITHOUT THE WRITTEN PERMISSION OF
 CALHOUN SUPERSTRUCTURE IS PROHIBITED

**52' CC PROFILE
 ON 8'-0" STEEL LEG**

SIZE	DWG. NO.
D	CC-52
SCALE:	N T S

SHEET 1 OF 1