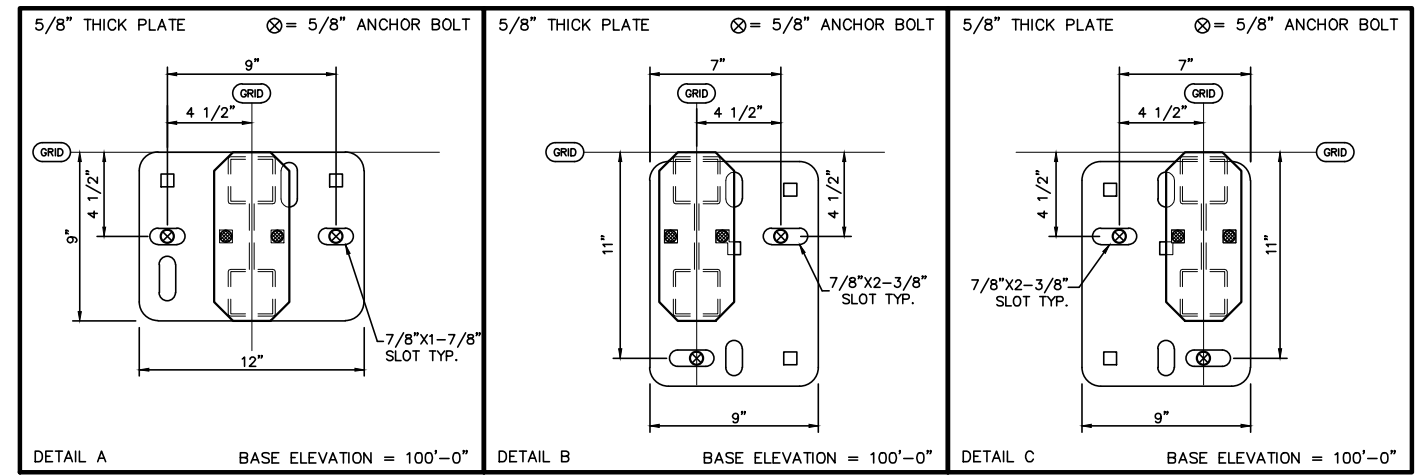
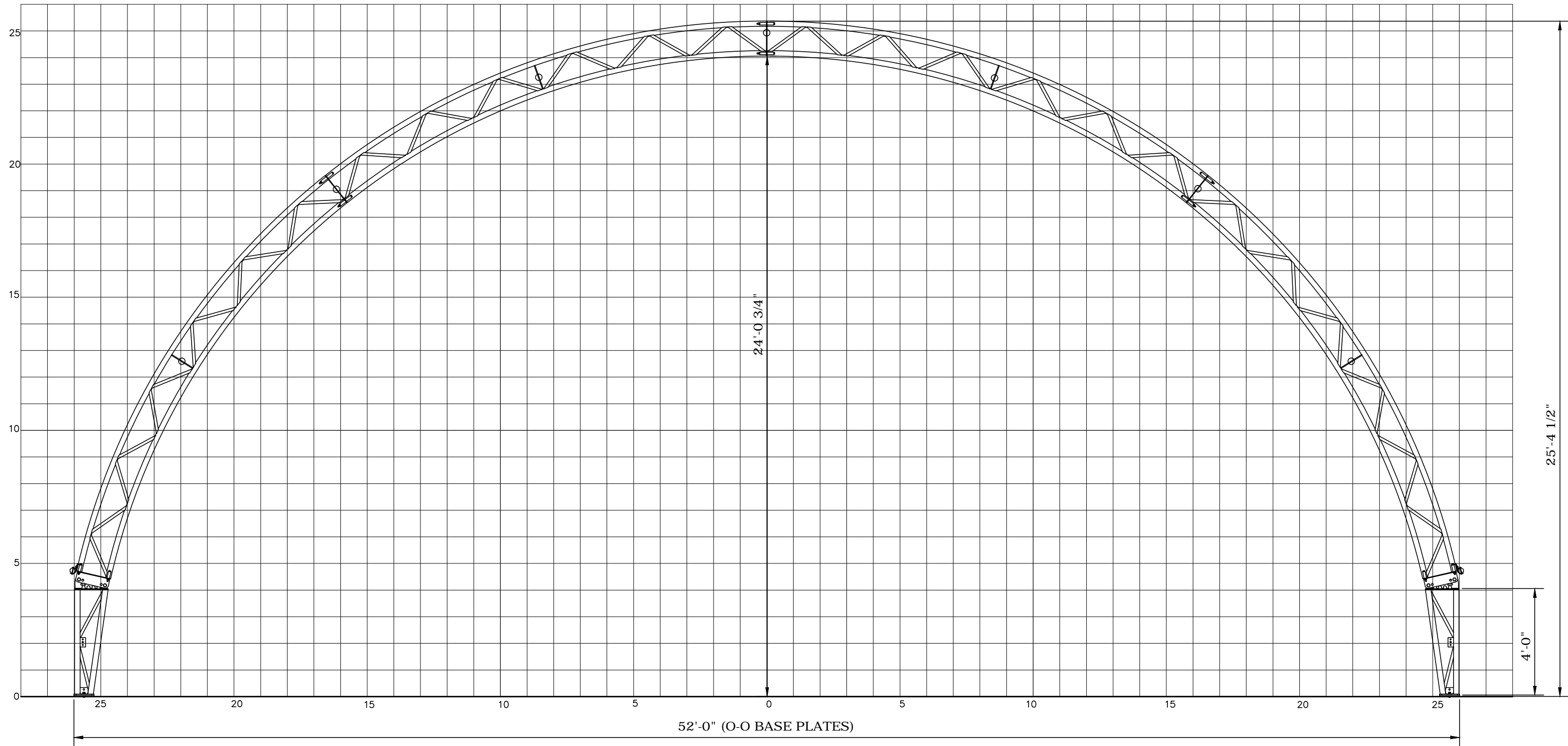


X:\DESIGN\AUTOCAD PROFILE DWG\2014 PROFILES\52 CC 4' STEEL LEG PROFILE.dwg
 Mar 30, 2015 - 2:16pm



Calhoun Superstructure Ltd. 3702 Bruce Rd #10 Tara, Ontario, Canada NOH 2N0 800-265-3994 www.calhounsuperstructure.com					
	NAME	DATE	52' CC PROFILE ON 4'-0" STEEL LEG		
	DRAWN	13/06/2014			
	CHECKED	13/06/2014			
	ENG. APPR.		PROPRIETARY AND CONFIDENTIAL THE INFORMATION CONTAINED IN THIS DRAWING IS THE SOLE PROPERTY OF CALHOUN SUPERSTRUCTURE. ANY REPRODUCTION IN PART OR AS A WHOLE WITHOUT THE WRITTEN PERMISSION OF CALHOUN SUPERSTRUCTURE IS PROHIBITED		
No.	DESCRIPTION	DATE			
REVISION / ISSUE			D	CC-52	
			SCALE:	SHEET 1 OF 1	