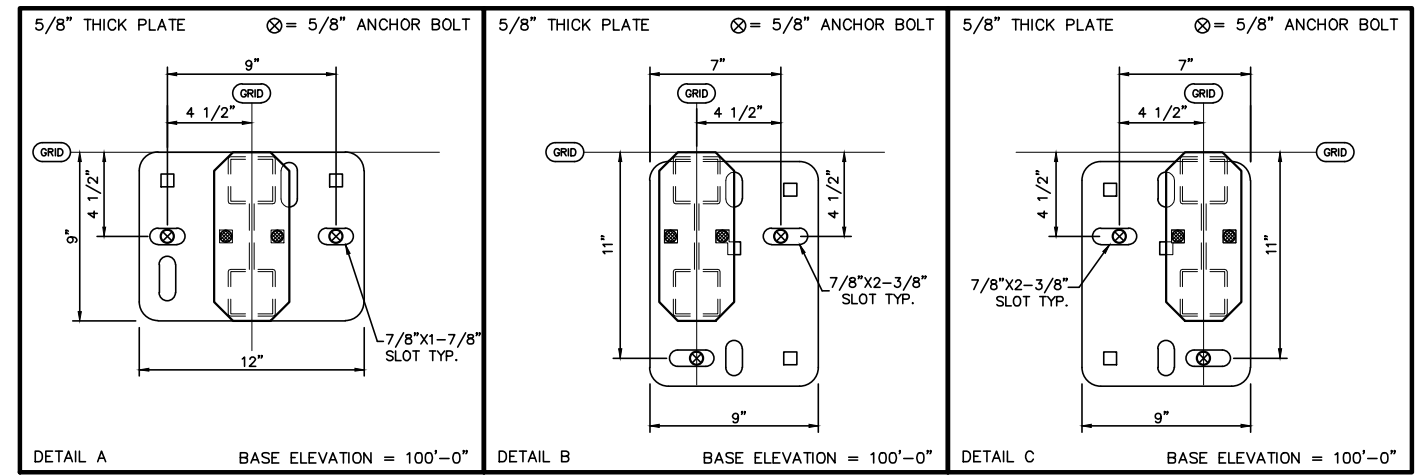
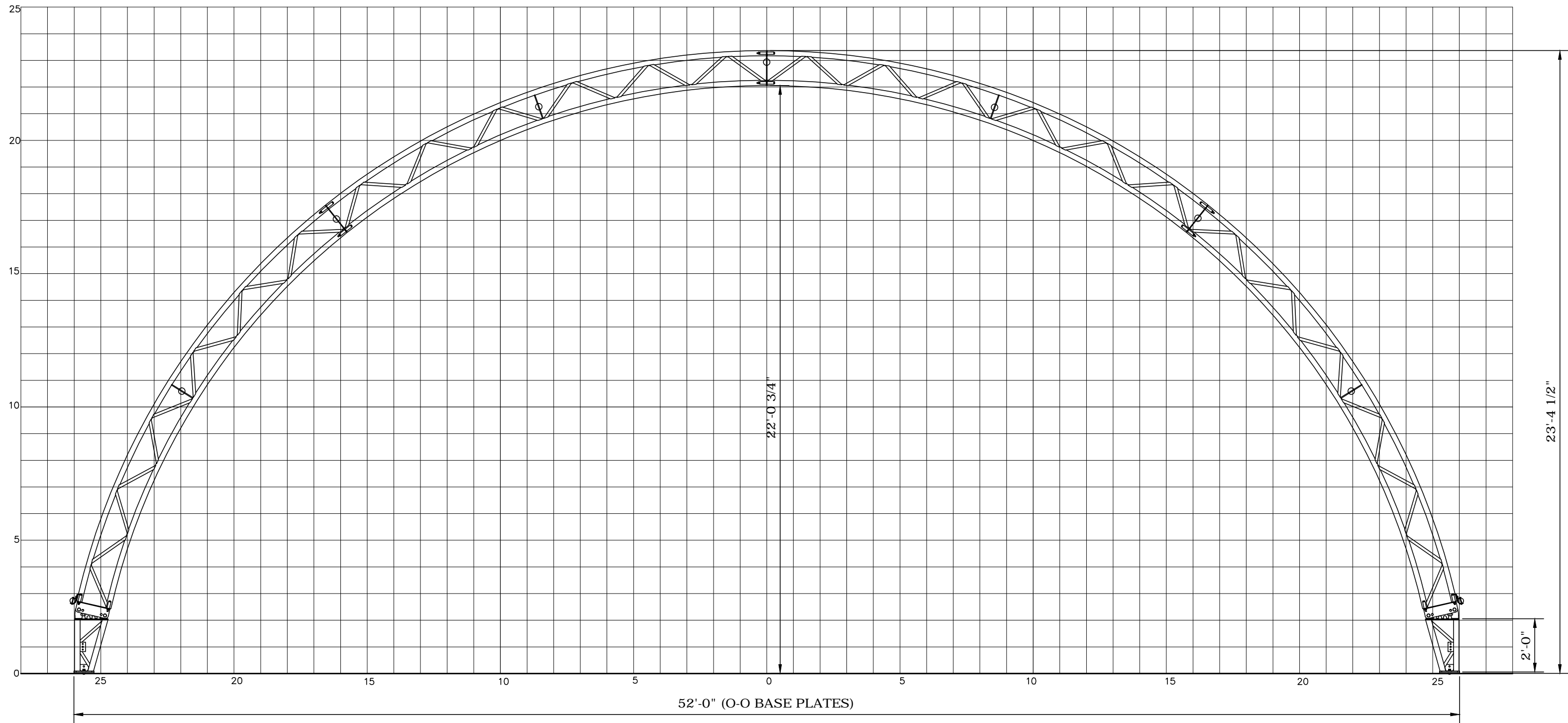


X:\DESIGN\AUTOCAD\PROFILE DWG\2014 PROFILES\62 CC 2 STEEL LEG PROFILE.dwg
 Mar 30, 2015 2:15pm



Calhoun Superstructure Ltd. 3702 Bruce Rd #10 Tara, Ontario, Canada NOH 2N0 800-265-3994 www.calhounsuperstructure.com				
	NAME	DATE	52' CC PROFILE ON 2'-0" STEEL LEG	
	DRAWN	13/06/2014		
	CHECKED	13/06/2014		
	ENG. APPR.		PROPRIETARY AND CONFIDENTIAL THE INFORMATION CONTAINED IN THIS DRAWING IS THE SOLE PROPERTY OF CALHOUN SUPERSTRUCTURE. ANY REPRODUCTION IN PART OR AS A WHOLE WITHOUT THE WRITTEN PERMISSION OF CALHOUN SUPERSTRUCTURE IS PROHIBITED	
No.	DESCRIPTION	DATE		
			SIZE: D SCALE:	DWG. NO.: CC-52 SHEET: 1 OF 1