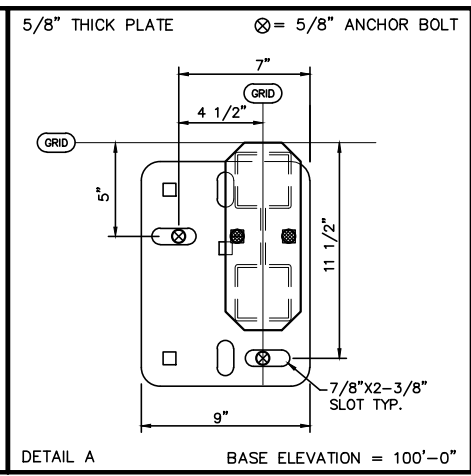
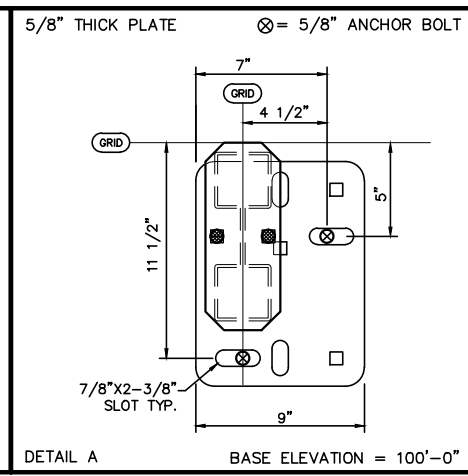
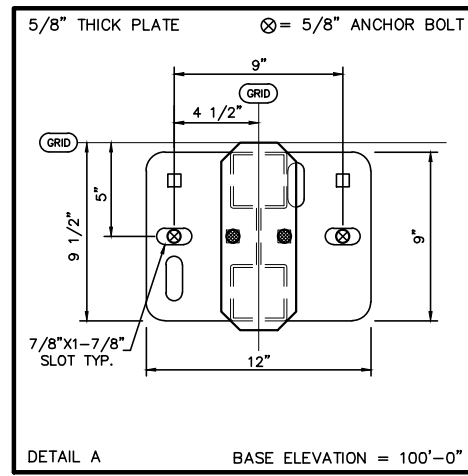
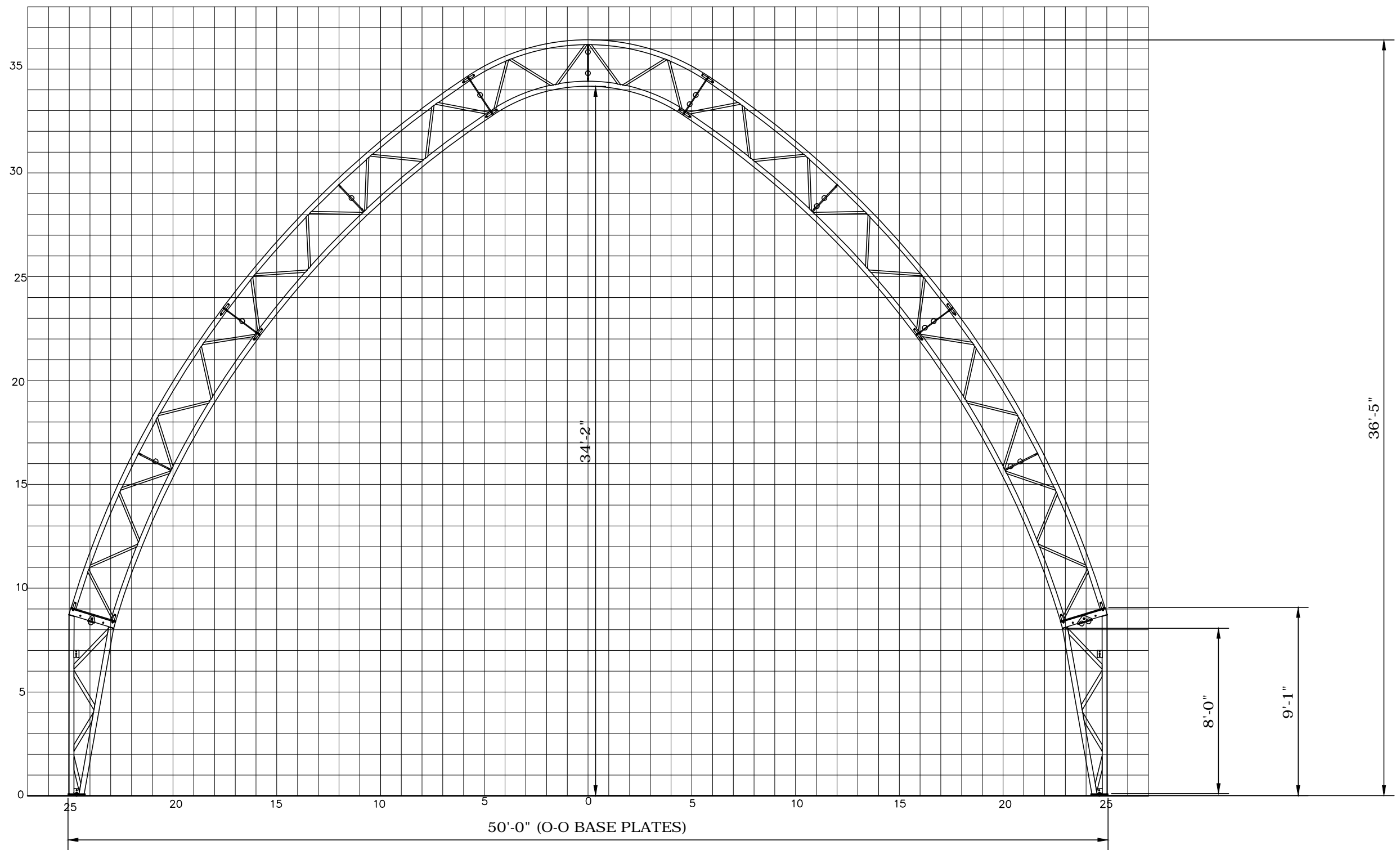


X:\DESIGN\AUTOCAD\PROFILE DWG\2014 PROFILES\90 HT 8' STEEL LEG PROFILE.dwg
 16/06/2015 2:09pm



Calhoun Superstructure Ltd. 3702 Bruce Rd #10 Tara, Ontario, Canada NOH 2N0 800-265-3994 www.calhounsuperstructure.com		
	NAME	DATE
DRAWN	L G G	16/06/2014
CHECKED	R W H	16/06/2014
ENG. APPR.		
PROPRIETARY AND CONFIDENTIAL THE INFORMATION CONTAINED IN THIS DRAWING IS THE SOLE PROPERTY OF CALHOUN SUPERSTRUCTURE. ANY REPRODUCTION IN PART OR AS A WHOLE WITHOUT THE WRITTEN PERMISSION OF CALHOUN SUPERSTRUCTURE IS PROHIBITED		
No.	DESCRIPTION	DATE
REVISION / ISSUE		

**50' HT PROFILE
ON 8'-0" STEEL LEG**

SIZE	DWG. NO.
D	HT-50
SCALE:	SHEET
N T S	1 OF 1