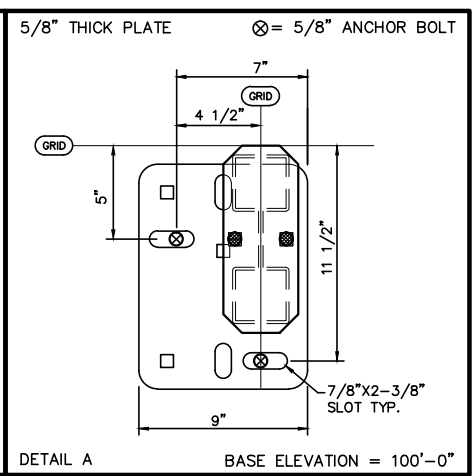
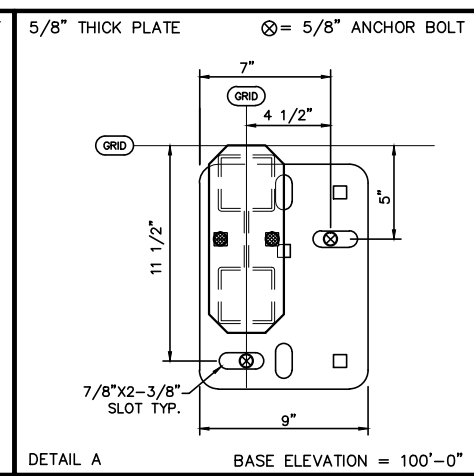
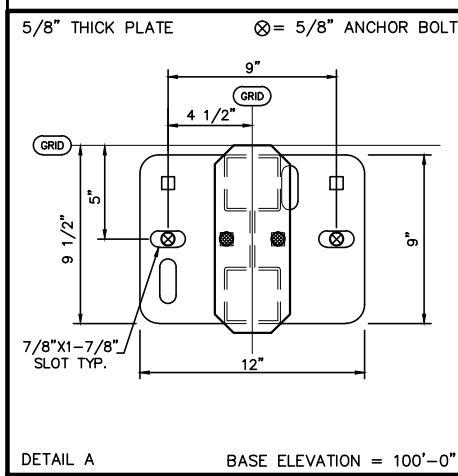
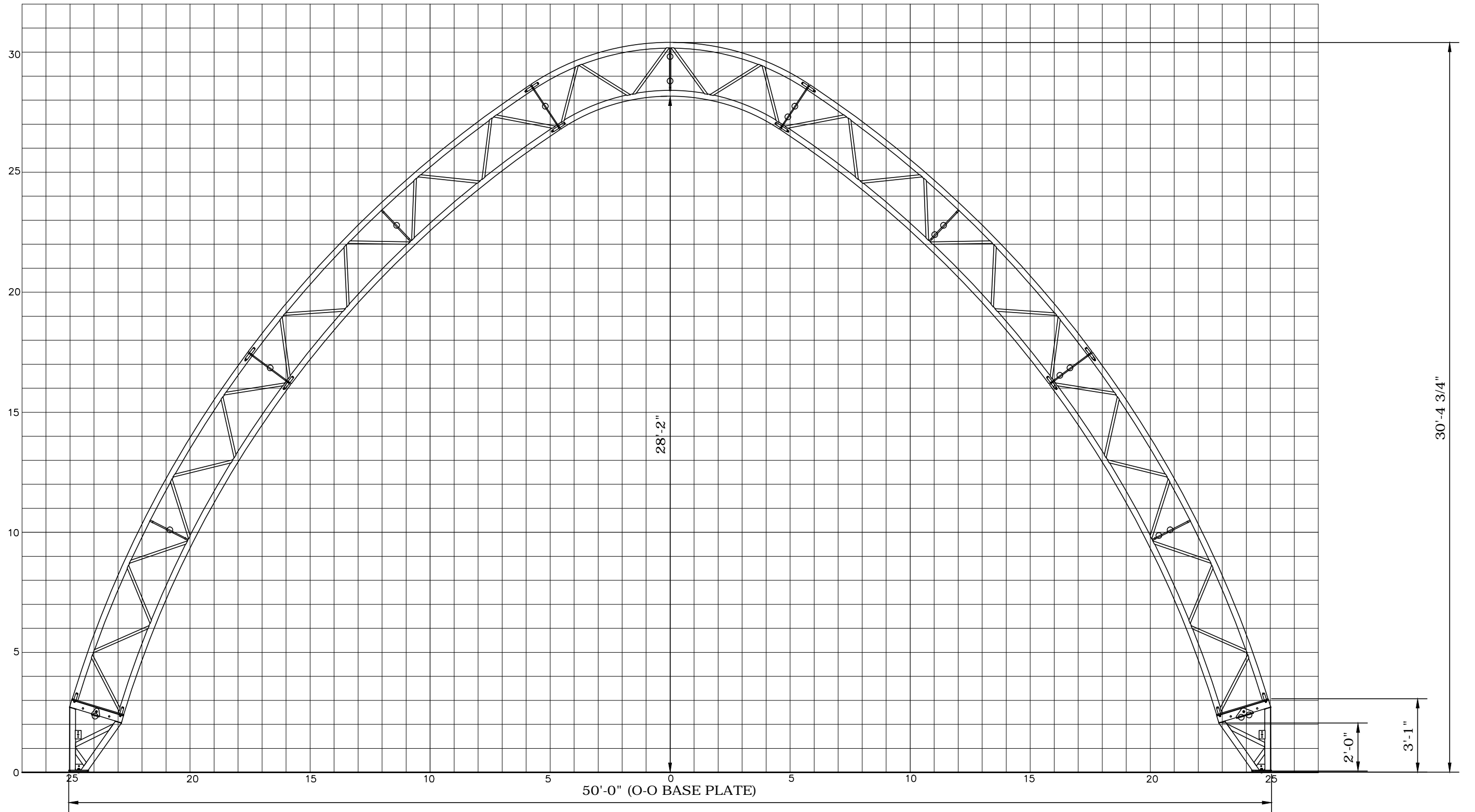


X:\DESIGN\AUTOCAD\PROFILE DWG\2014 PROFILES\50 HT 2 STEEL LEG PROFILE.dwg
 Mar 30, 2015 - 2:07pm



Calhoun Superstructure Ltd. 3702 Bruce Rd #10 Tara, Ontario, Canada NOH 2N0 800-265-3994 www.calhounsuperstructure.com		
	NAME	DATE
	L G G	16/06/2014
	CHECKED	R W H 16/06/2014
	ENG. APPR.	
PROPRIETARY AND CONFIDENTIAL THE INFORMATION CONTAINED IN THIS DRAWING IS THE SOLE PROPERTY OF CALHOUN SUPERSTRUCTURE. ANY REPRODUCTION IN PART OR AS A WHOLE WITHOUT THE WRITTEN PERMISSION OF CALHOUN SUPERSTRUCTURE IS PROHIBITED		
No.	DESCRIPTION	DATE
	REVISION / ISSUE	

**50' HT PROFILE
ON 2'-0" STEEL LEG**

SIZE: **D** DWG. NO.: **HT-50**

SCALE: SHEET: **1 OF 1**

N T S