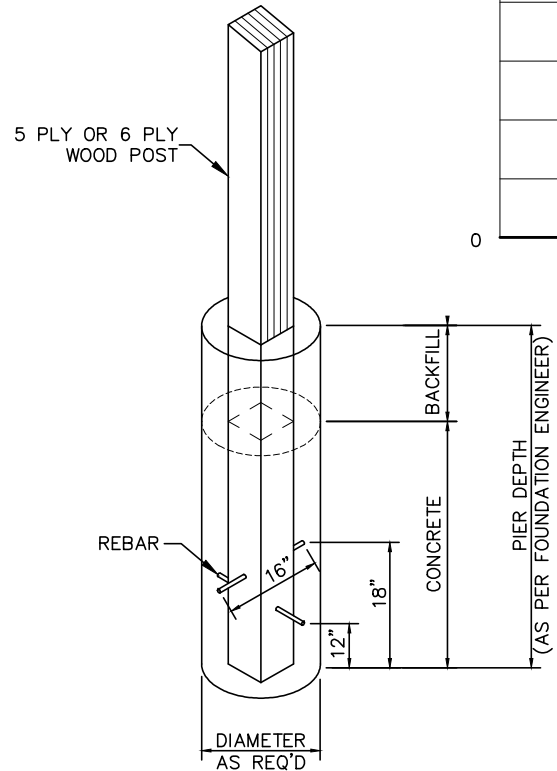
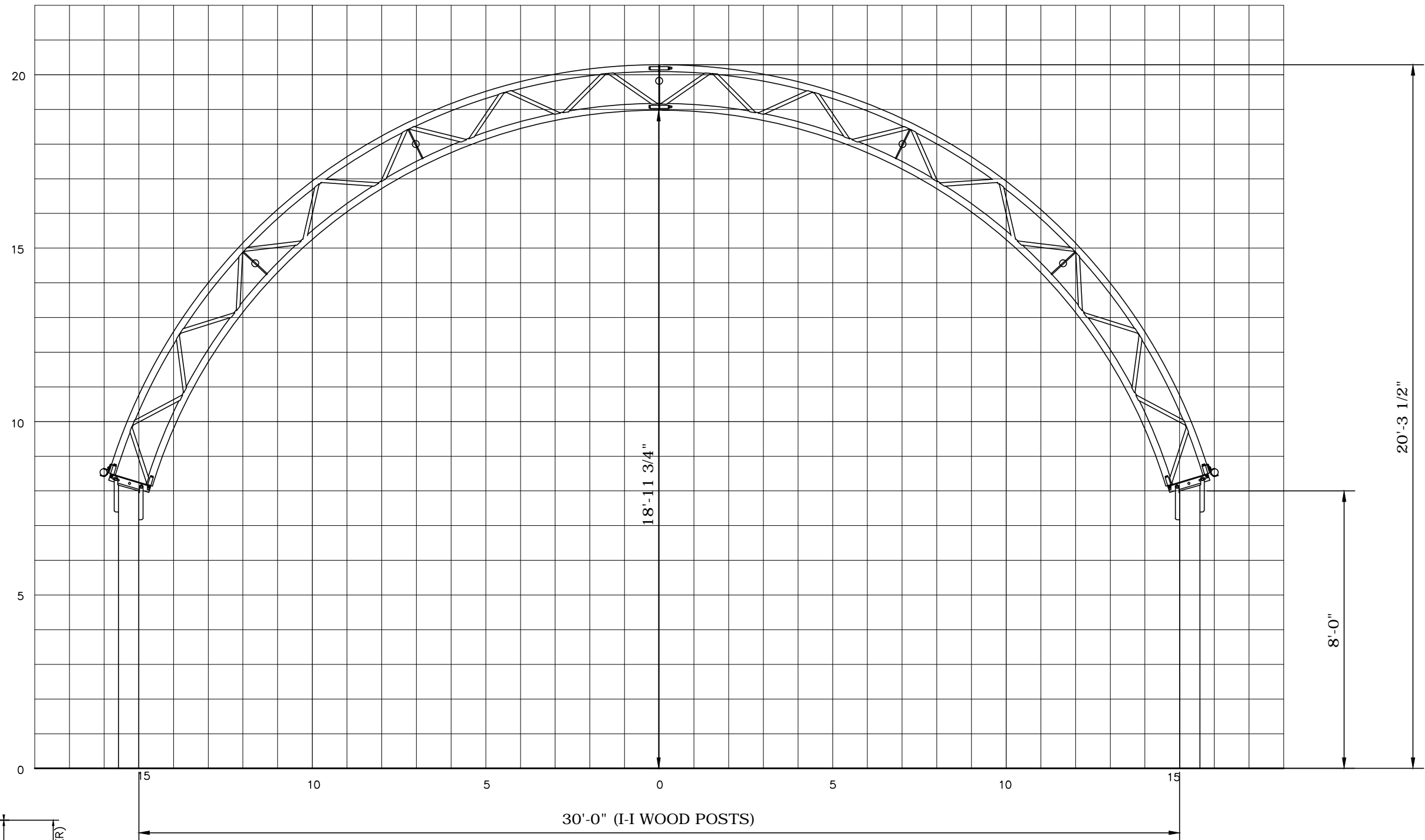


X:\DESIGN\AUTOCAD\PROFILE DWG\2014\PROFILES\32 CC WOOD PROFILE.dwg
 Mar 30, 2015 - 1:39pm



SAMPLE FOOTING DETAIL

Calhoun Superstructure Ltd. 3702 Bruce Rd #10 Tara, Ontario, Canada NOH 2N0 800-265-3994 www.calhounsuperstructure.com				
	NAME	DATE	32' CC PROFILE ON WOOD POST	
	DRAWN	13/06/2014		
	CHECKED	13/06/2014		
	ENG. APPR.		PROPRIETARY AND CONFIDENTIAL THE INFORMATION CONTAINED IN THIS DRAWING IS THE SOLE PROPERTY OF CALHOUN SUPERSTRUCTURE. ANY REPRODUCTION IN PART OR AS A WHOLE WITHOUT THE WRITTEN PERMISSION OF CALHOUN SUPERSTRUCTURE IS PROHIBITED	
No.	DESCRIPTION	DATE		
REVISION / ISSUE			DWG. NO. CC-32	SHEET 1 OF 1